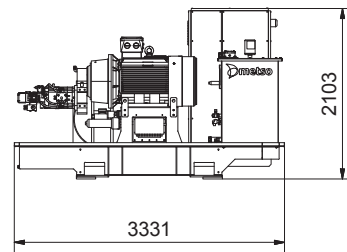
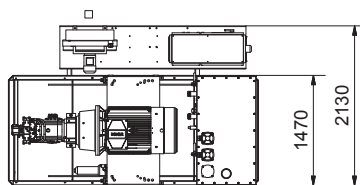
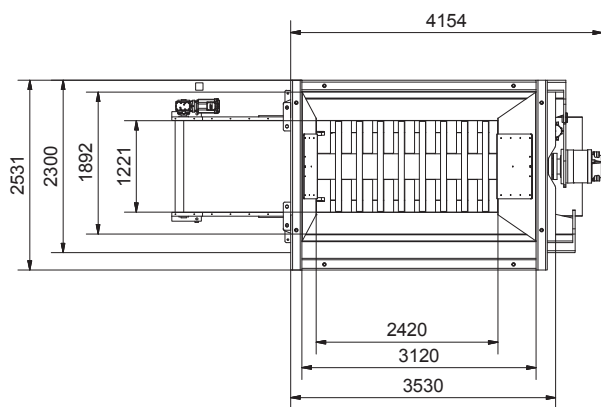
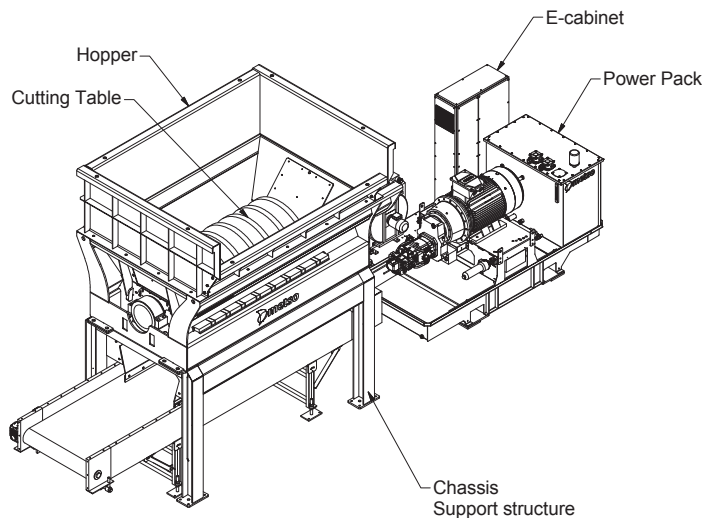
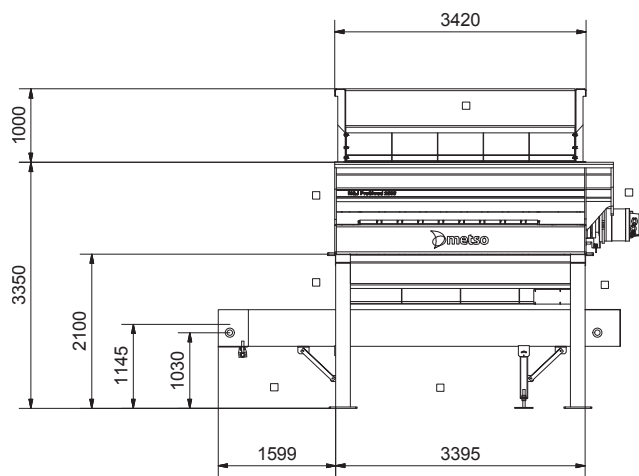


Waste Pre-Shredders from Metso Waste Recycling  
M&J PreShred 2000S



# M&J PreShred 2000S



Specification		
Overall dimension std without hopper (LxWxH)	mm	5536 x 2300 x 3350
Weight (total included standard conveyer)	ton	14.3 – 16.4
Standard colour	RAL	7011, 9002
Loading height (without hopper)	mm	3350
Cutting area	mm	2420 x 1273
Power pack		
Electric motor	kW	1x110 / 1x132 / 1x200
Electric control unit		PLC
Drive principle		Hydrostatic transmission
Chassis		
Standard belt conveyer (LxW)	mm	4500 x 1200
Discharge height	mm	1145
Discharge width	mm	1200
Weight (included / exclusive conveyer)	ton	2.6 / 1.6

# Cutting table

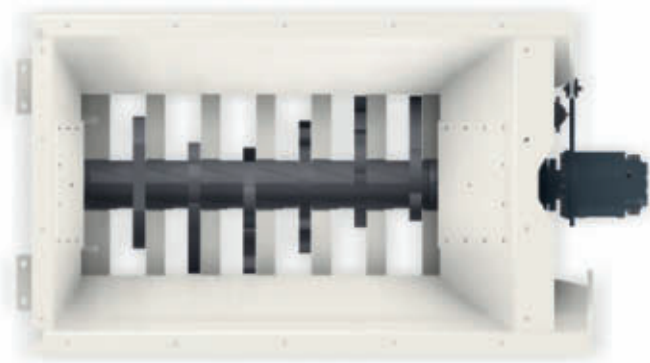


Heavy duty

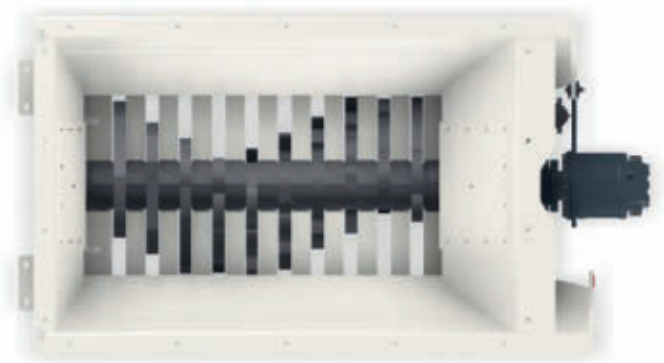


High performance

Cutting table 6 knives



Cutting table 10 knives



## M&J PreShred 2000S

Cutting Table		
Number of shafts		1
Rotating speed*	rpm	16-41 / 27-56
Number of knives		6 / 8 / 9 / 10
Number of counter knives		12 / 16 / 18 / 20
Cutting area (LxW)	mm	2420 x 1273
Weight	ton	8.7 – 10.2
Grain size **		
6 knives	mm	<450
8 knives	mm	<300
9 knives	mm	<250
10 knives	mm	<200
Capacity per hour ***		
Household waste	ton	Up to 70
Demolition wood	ton	Up to 40
Industrial waste	ton	Up to 20
Bulky waste	ton	Up to 25
* Standard / HDC ** 90% less than		
*** Depending on loading, grain size and density of the input material		



For more information, contact your local Metso Waste Recycling representative, or contact your dealer directly.

Metso Denmark A/S  
Vejlevej 5  
DK-8700 Horsens  
Denmark  
Tel: +45 7626 6400  
Fax: +45 7626 6449  
recycling.info.dk@metso.com

[www.metso.com/recycling](http://www.metso.com/recycling)

We reserve the right to make changes and improvements without notice, "M&J PreShred 2000S". Metso Waste Recycling, March 2017