



## LS504-51

### LS Series–Level Sensor

#### Features

- High or low level sensing
- Internal or external fitting
- Reed Switch reliability
- Silicone sealing washer/grommet
- Easy installation

#### Applications

- Coolant level indication
- Water high or low Level
- Boiler heating element protection
- Drinking water level
- Boiling Water

#### Comments

- High or low level sensing, single pole double throw
- Normally open or normally closed by rotating through 180
- Suitable for a wide range of liquids
- Interface option available
- PPS Material

#### Material

<b>Housing Material</b>	Glass Filled PPS
<b>Float Material</b>	Glass Filled PPS
<b>Contact Material</b>	Ruthenium
<b>Float SG</b>	0.7
<b>Operating Temperature °C</b>	-30 to 110
<b>Medium</b>	Boiling, Drinking (Potable) Water
<b>Housing and Float Color</b>	Black

#### Mechanical Specifications

<b>Shock</b>	50g for 11mS duration
<b>Vibration</b>	35g up to 500Hz
<b>Maximum Pressure</b>	4.7 Bar
<b>IP</b>	IP65

#### Cable

<b>Cable Length</b>	3 x 0.5M single insulated
<b>Connection Type</b>	Stripped Cables
<b>Cable Type</b>	24AWG, 7/0.2mm PVC insulated
<b>Cable Color</b>	Yellow/Blue/Black

#### Mounting

<b>Thread</b>	M16
<b>Fitment</b>	Universal Internal or External
<b>Mounting</b>	Horizontal

# LS504-51

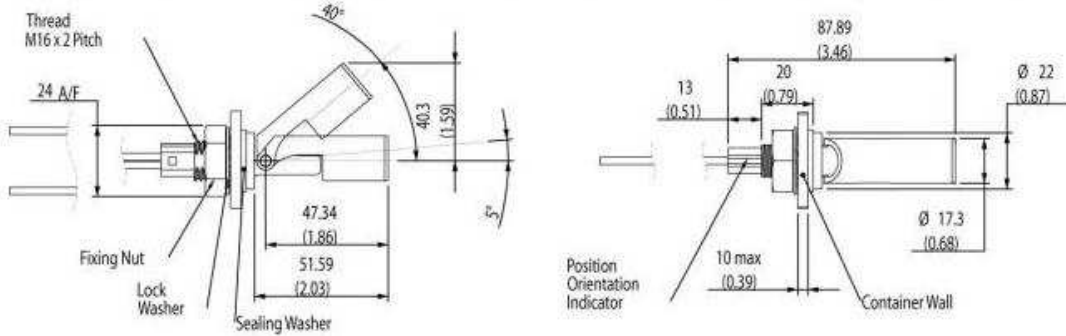
LS Series—Level Sensor

## Switching

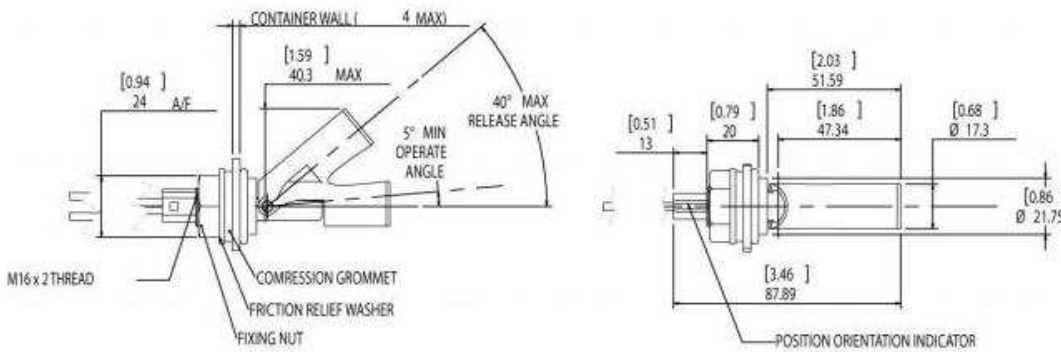
Switch Action (Reed Switch)	SPDT
Max Switching Voltage VDC	175
Max Switching Voltage VAC	125
Max Switching Current Amps	0.4A DC/0.28A AC
Max Switching Load Watt	5
Operate Mode	N/C with float horizontal
Contact Form	C

## Technical Drawing

### Internal Fitting



### External Fitting



## NORTH AMERICA & EUROPE

MEAS Deutschland GmbH  
a TE Connectivity Company  
Hauert 13  
D-44227 Dortmund  
Germany  
Phone: +49-(0)231-9740-0  
Fax: +49-(0)231-9740-20  
Email: info.de@meas-spec.com

## ASIA

Measurement Specialties (China), Ltd.,  
a TE Connectivity Company  
No. 26 Langshan Road  
Shenzhen High-Tech Park (North)  
Nanshan District, Shenzhen 518057 China  
Tel +86 755 3330 5088  
Fax +86 755 3330 5099

## te.com/sensorsolutions

Measurement Specialties, Inc., a TE Connectivity company.

Measurement Specialties, MEAS, TE Connectivity, TE Connectivity (logo) and EVERY CONNECTION COUNTS are trademarks. All other logos, products and/or company names referred to herein might be trademarks of their respective owners.

The information given herein, including drawings, illustrations and schematics which are intended for illustration purposes only, is believed to be reliable. However, TE Connectivity makes no warranties as to its accuracy or completeness and disclaims any liability in connection with its use. TE Connectivity's obligations shall only be as set forth in TE Connectivity's Standard Terms and Conditions of Sale for this product and in no case will TE Connectivity be liable for any incidental, indirect or consequential damages arising out of the sale, resale, use or misuse of the product. Users of TE Connectivity products should make their own evaluation to determine the suitability of each such product for the specific application.

© 2016 TE Connectivity Ltd. family of companies All Rights Reserved.