

MATERIALS OF CONSTRUCTION

SWITCH OUTER CASE AND COVERS:

- 316 STAINLESS STEEL
- ALUMINIUM
- 304 STAINLESS STEEL (ADJUSTMENT COVER ON ALUMINIUM HOUSING ONLY)

OTHER EXTERNAL PARTS:

- 304 AND 316 STAINLESS STEELS
- NYLON
- GLASS REINFORCED EPOXY RESIN
- PHOSPHOR BRONZE (F_6 TYPES ONLY)

INTERNAL PARTS:

- 303, 304 AND 316 STAINLESS STEELS
- SPRING STEEL
- NYLON
- ALUMINIUM
- PPS
- POLYESTER
- CHROME STEEL
- POLYOLEFIN
- SILICONE
- PTFE
- GLASS REINFORCED EPOXY LAMINATE

WETTED PARTS:

- 316 AND 321 STAINLESS STEELS
- 303 AND 304 STAINLESS STEELS
- T_6 TYPES WITHOUT THERMOWELL ONLY
- MONEL® 400
- INCONEL
- POLYPROPYLENE (L_6 TYPES ONLY)
- NITRILE (R_6 TYPES ONLY)
- GUNMETAL (F_6 TYPES ONLY)
- COTTON FABRIC REINFORCED EPOXY RESIN (F_6 TYPES ONLY)
- ACETAL C (F_6 TYPES ONLY)
- BRASS (F_6 TYPES ONLY)
- POLYVINYL CHLORIDE (F_6 TYPES ONLY)
- NYLON (8" V_6, P_6 AND D_6, P_6 FLUSH DIAPHRAGM AND F_6 TYPES ONLY)
- ALUMINIUM (T_6 TYPES WITH SLIDING GLAND ONLY)

DIAPHRAGMS AND PRESSURE SEALS:

- VITON®
- NITRILE
- SILICONE
- NEOPRENE
- PTFE (P_6 HIGH PRESSURE PISTON ONLY)
- EPDM (P_6 HIGH PRESSURE PISTON ONLY)
- NEOPRENE CORK (F_6 TYPES ONLY)
- KALREZ®

ENVIRONMENTAL SEALS:

- SILICONE
- VITON®
- ePTFE

FASTENERS:

- A2 AND A4 STAINLESS STEELS
- NYLON

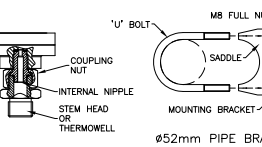
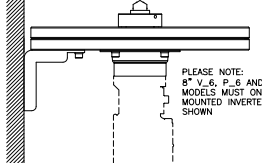
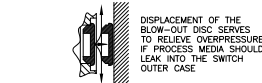
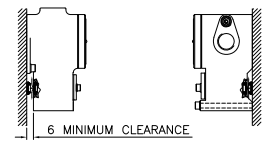
ELECTRICAL ENTRY ADAPTORS:

- 316 STAINLESS STEEL
- BRASS

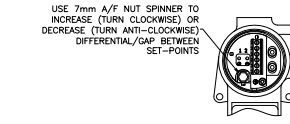
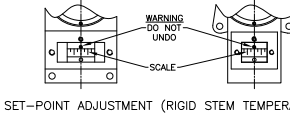
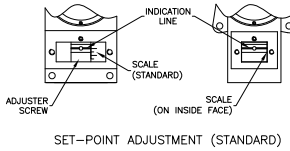
CABLE:

- COPPER
- SILICONE

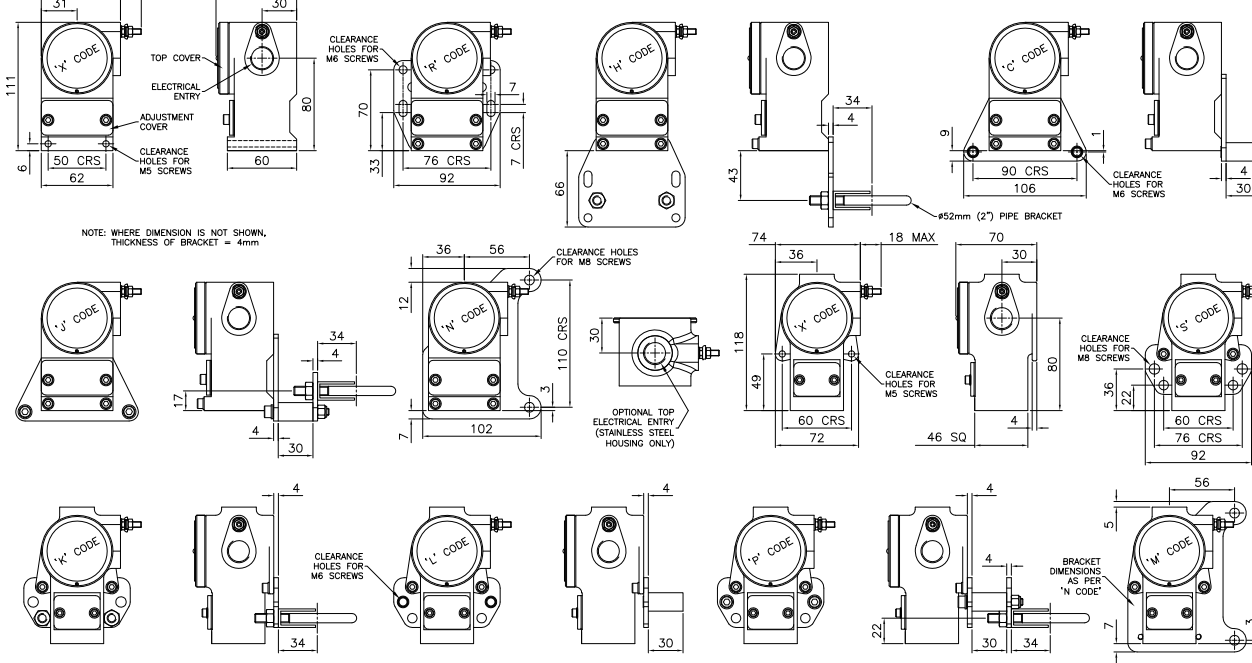
MECHANICAL INSTALLATION



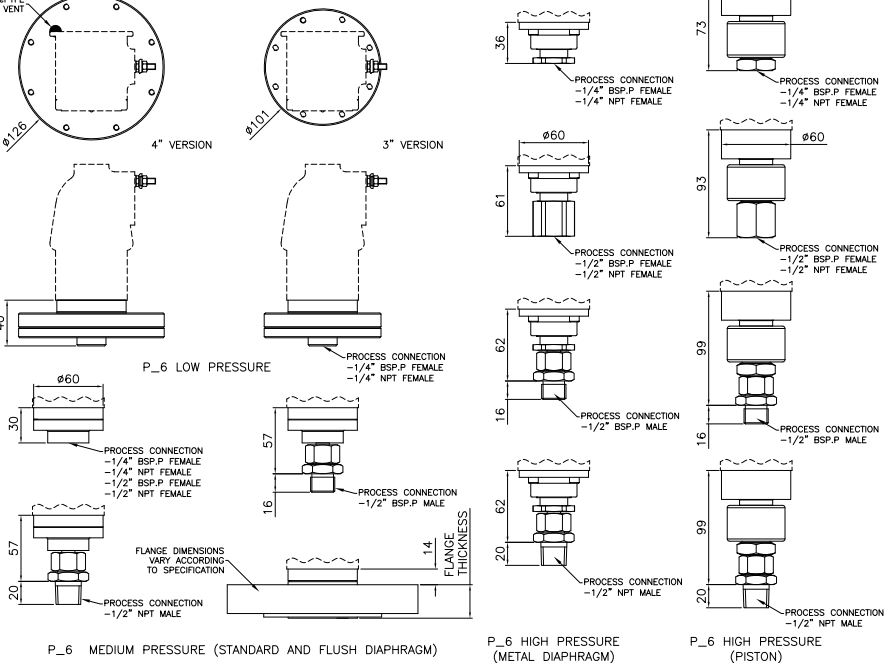
SET-POINT AND DIFFERENTIAL ADJUSTMENT



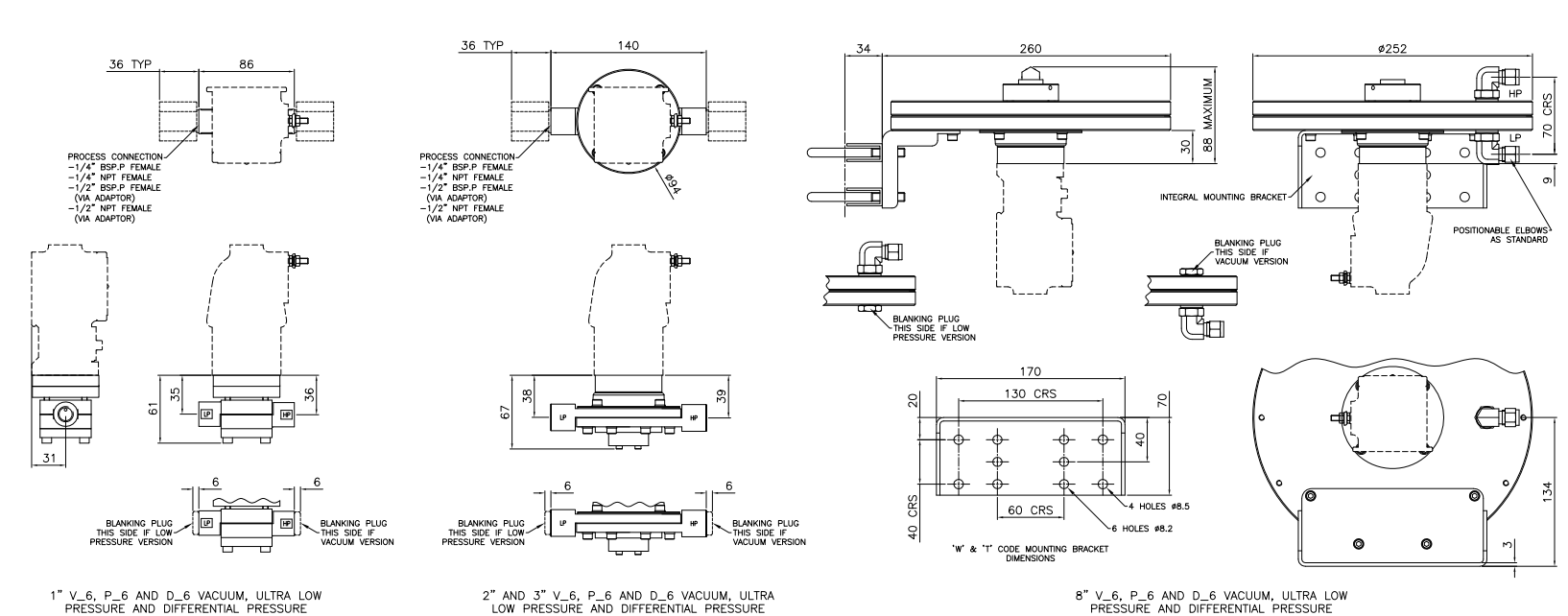
GENERAL DIMENSIONS



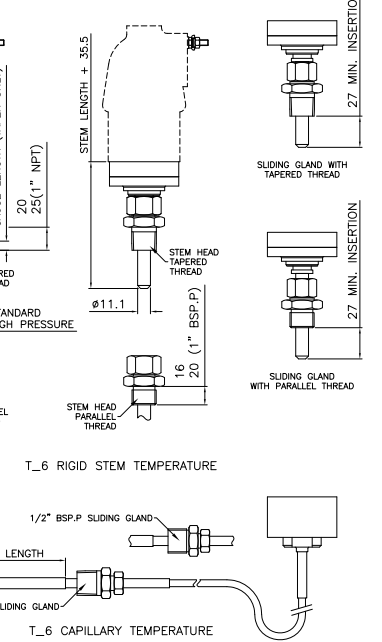
PRESSURE



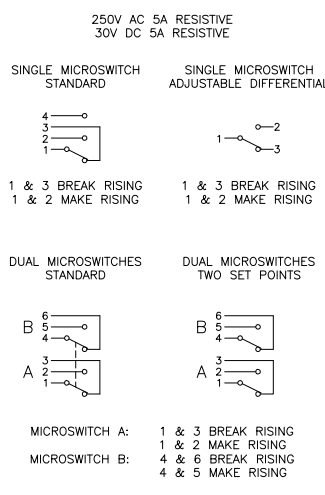
VACUUM, ULTRA LOW PRESSURE AND DIFFERENTIAL PRESSURE



TEMPERATURE



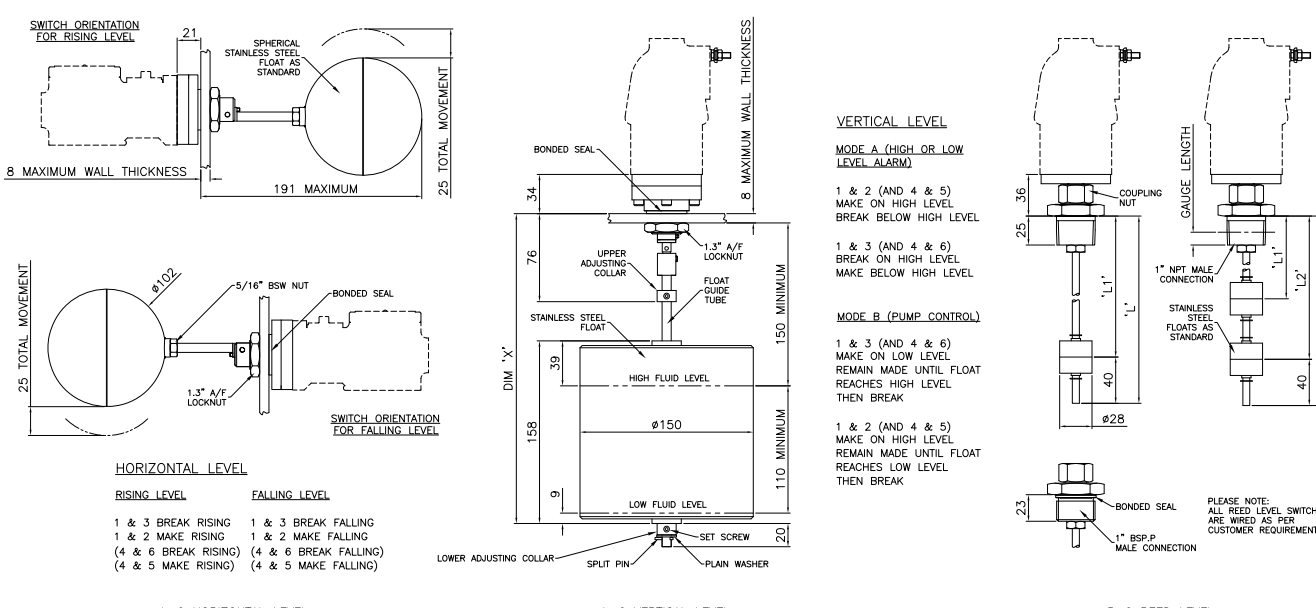
MICROSWITCH DETAILS



CERTIFICATION LABELS



LEVEL



FLOW

