



## **EVS312-51N**

### **EVS Series • Top or Bottom • Level Sensor**

#### **Features**

- Internal or External fitting
- Suitable for a wide range of Chemicals
- Repeatability of operation
- Reed switch reliability

#### **Comments**

- Stem length 223.5mm
- Two Position Level Switching
- High and Low Level Switch Points
- Nylon stem and float
- M16 Fitting

#### **Applications**

- Fuel low level
- Diesel Fuel
- Low Oil Detection
- Alcohols
- Organic Solvents

## EVS312-51N

EVS Series • Top or Bottom • Level Sensor

### Material

<b>Housing Material</b>	Nylon 6.6	<b>Cable Length</b>	3 x 0.5M single insulated
<b>Float Material</b>	Glass filled Nylon 6.6	<b>Connection Type</b>	Stripped Cables
<b>Contact Material</b>	Ruthenium	<b>Cable Type</b>	18AWG, 16/0.025mm PVC insulated
<b>Float SG</b>	0.74	<b>Cable Colour</b>	Yellow/Blue/Black
<b>Operating Temperature °C Medium</b>	-30 to 110		
<b>Housing Colour</b>	Blue		
<b>Float Colour</b>	Blue		

### Mechanical Specifications

<b>Shock</b>	50g for 11mS duration	<b>Thread</b>	M16
<b>Vibration</b>	35g up to 500Hz	<b>Fitment</b>	Universal Internal or External
<b>Maximum Pressure</b>	4.7 Bar	<b>Mounting</b>	Vertical
<b>Float Diameter</b>	22mm		
<b>IP</b>	IP65		

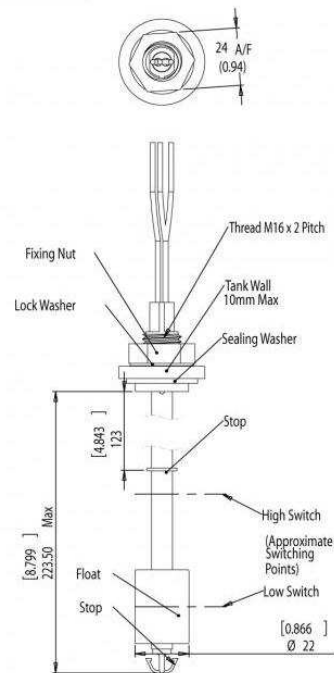
### Mounting

### Switching

<b>Switch Action (Reed Switch)</b>	2 x SPST
<b>Max Switching Voltage VDC</b>	175
<b>Max Switching Voltage VAC</b>	125
<b>Max Switching Current Amps</b>	0.4A DC/0.28A AC
<b>Max Switching Load Watt</b>	5
<b>Operate Mode</b>	Both switches normally closed at bottom stop
<b>Contact Form</b>	A + B

### Technical Drawing

EVS Generic M16 Internal



### NORTH AMERICA & EUROPE

MEAS Deutschland GmbH  
a TE Connectivity Company  
Hauert 13  
D-44227 Dortmund  
Germany  
Phone: +49-(0)231-9740-0  
Fax: +49-(0)231-9740-20  
Email: info.de@meas-spec.com

### ASIA

Measurement Specialties (China), Ltd.,  
a TE Connectivity Company  
No. 26 Langshan Road  
Shenzhen High-Tech Park (North)  
Nanshan District, Shenzhen 518057 China  
Tel +86 755 3330 5088  
Fax +86 755 3330 5099

### te.com/sensorsolutions

Measurement Specialties, Inc., a TE Connectivity company.

Measurement Specialties, MEAS, TE Connectivity, TE Connectivity (logo) and EVERY CONNECTION COUNTS are trademarks. All other logos, products and/or company names referred to herein might be trademarks of their respective owners.

The information given herein, including drawings, illustrations and schematics which are intended for illustration purposes only, is believed to be reliable. However, TE Connectivity makes no warranties as to its accuracy or completeness and disclaims any liability in connection with its use. TE Connectivity's obligations shall only be as set forth in TE Connectivity's Standard Terms and Conditions of Sale for this product and in no case will TE Connectivity be liable for any incidental, indirect or consequential damages arising out of the sale, resale, use or misuse of the product. Users of TE Connectivity products should make their own evaluation to determine the suitability of each such product for the specific application.

© 2016 TE Connectivity Ltd. family of companies All Rights Reserved.