



## LS809-21

### LS Series–Level Sensor

#### Features

- High or low level sensing
- External fitting
- Reed Switch reliability
- Silicone sealing grommet
- Easy installation

#### Comments

- High or low level sensing, single pole double throw
- Normally open or normally closed by rotating through 180
- Suitable for a wide range of liquids
- Interface option available
- Polypropylene Material

#### Applications

- Continuous 80
- Water high or low Level
- Condensate level alarm
- Drinking water level
- Cooling systems

## LS809-21

LS Series—Level Sensor

### Material

Housing Material	Glass Filled Polypropylene
Float Material	Glass Filled Polypropylene
Contact Material	Ruthenium
Float SG	0.65
Operating Temperature °C	-30 to 105
Medium	Water
Housing and Float Color	Charcoal

### Mechanical Specifications

Shock	50g for 11mS duration
Vibration	35g up to 500Hz
Maximum Pressure	4.7 Bar
IP	IP65

### Switching

Switch Action (Reed Switch)	SPST
Max Switching Voltage VDC	200
Max Switching Voltage VAC	250
Max Switching Current Amps	1
Max Switching Load Watt	70
Operate Mode	N/C with float horizontal
Contact Form	A

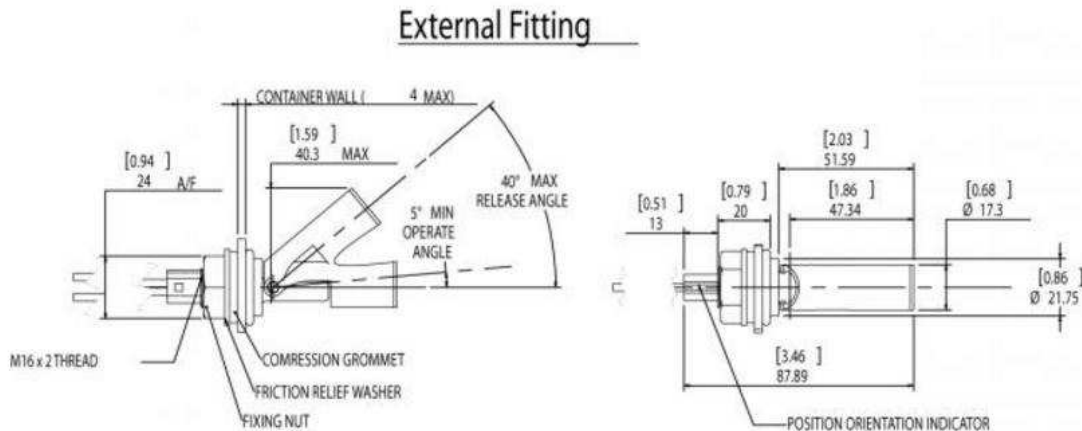
### Cable

Cable Length	2 x 0.5M single insulated
Connection Type	Stripped Cables
Cable Type	18AWG, 32/0.2mm PVC insulated
Cable Color	Black

### Mounting

Thread	M16
Fitment	External
Mounting	Horizontal

### Technical Drawing



### NORTH AMERICA & EUROPE

MEAS Deutschland GmbH  
a TE Connectivity Company  
Hauert 13  
D-44227 Dortmund  
Germany  
Phone: +49-(0)231-9740-0  
Fax: +49-(0)231-9740-20  
Email: info.de@meas-spec.com

### ASIA

Measurement Specialties (China), Ltd.,  
a TE Connectivity Company  
No. 26 Langshan Road  
Shenzhen High-Tech Park (North)  
Nanshan District, Shenzhen 518057 China  
Tel +86 755 3330 5088  
Fax +86 755 3330 5099

### te.com/sensorsolutions

Measurement Specialties, Inc., a TE Connectivity company.

Measurement Specialties, MEAS, TE Connectivity, TE Connectivity (logo) and EVERY CONNECTION COUNTS are trademarks. All other logos, products and/or company names referred to herein might be trademarks of their respective owners.

The information given herein, including drawings, illustrations and schematics which are intended for illustration purposes only, is believed to be reliable. However, TE Connectivity makes no warranties as to its accuracy or completeness and disclaims any liability in connection with its use. TE Connectivity's obligations shall only be as set forth in TE Connectivity's Standard Terms and Conditions of Sale for this product and in no case will TE Connectivity be liable for any incidental, indirect or consequential damages arising out of the sale, resale, use or misuse of the product. Users of TE Connectivity products should make their own evaluation to determine the suitability of each such product for the specific application.

© 2016 TE Connectivity Ltd. family of companies All Rights Reserved.