

## Drop connectors

**Model number**

- DR461066A**
- DR465007A (DIN)**
- DR461146A**
- DR465033A (DIN)**



### Protected drop switch (1 drop)

Designed for AS-Interface networks, this switched drop connector offers a very convenient method to remove, replace, or repair a device while the balance of the network remains on-line. It allows the user to disconnect a drop segment from the rest of the bus by flipping a switch.

**Features**

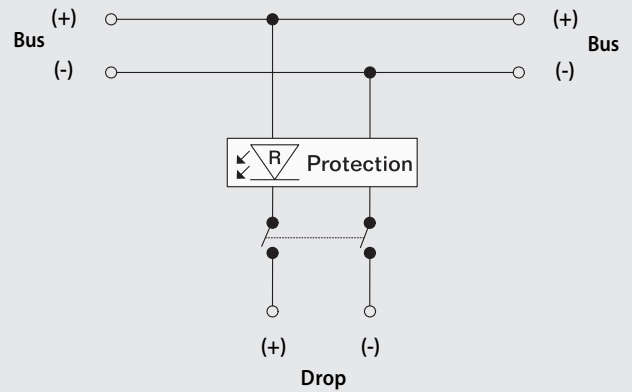
- Disconnects segment
- Compact modular design
- Short circuit protection
- Direct mount and DIN rail mount available
- LED indicates drop fault



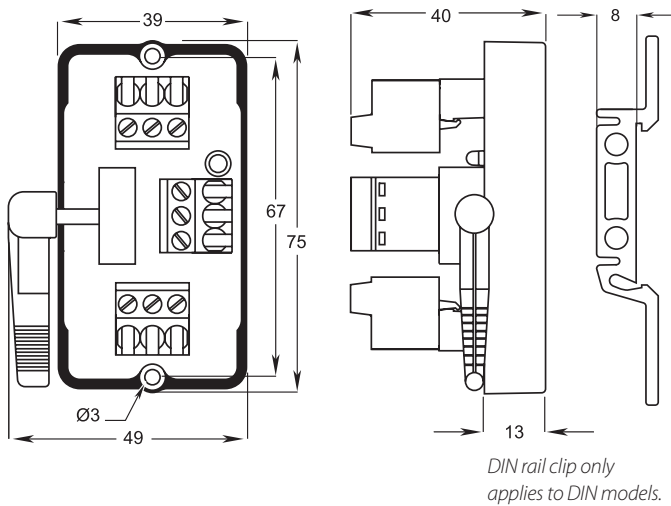
Specifications	
Maximum voltage	35 VDC
Maximum current (trunk)	8 amps
Voltage drop (trunk)	Negligible
Voltage drop (drop)	< 1V
Trip current (drop)	240 mA (DR461066A, DR465007A) 100 mA (DR461146A, DR465033A)
Holding current (after trip)	28 mA
Reset current level	Current falls below 28 mA
Maximum devices per drop	1
Current consumption	None
Dimensions (L, W, H)	75mm, 49mm, 40mm
Housing	Engineered resin
Operating temperature	-40° to +80°C (-40° to +176°F)



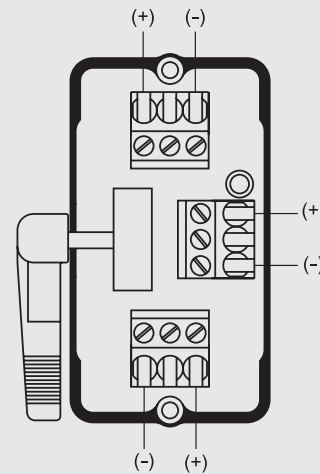
### Schematic drawing



### Dimensions (mm)



### Wiring diagram



## Drop connectors

Model number

**DR461117A**

**DR465009A (DIN)**

### Power protected drop switch (1 drop)

This disconnect switch is a compact drop connector for wiring DeviceNet networks. It has a disconnect switch that allows the user to disconnect a drop from the trunk. This device also provides current limiting on the power leg to prevent power losses.

#### Features

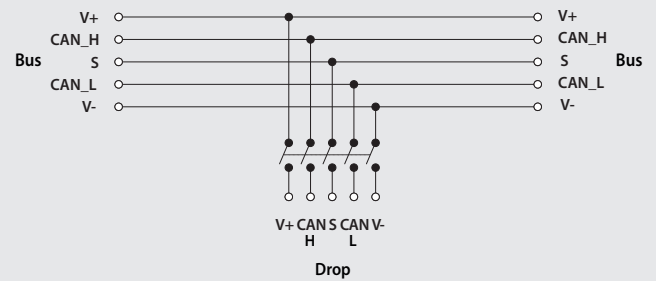
- Current limit on power drop
- Disconnects bus segment
- Direct mount or DIN rail mount available



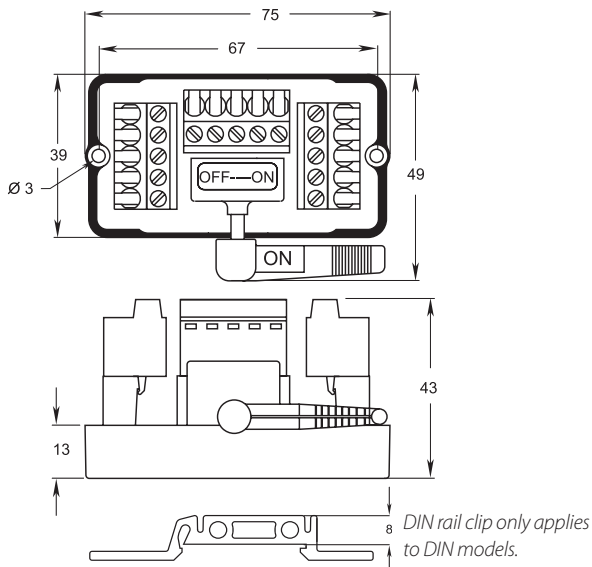
DeviceNet™

Specifications	
Maximum voltage	35 VDC
Maximum current (trunk)	8 amps
Voltage drop (trunk)	Negligible
Voltage drop (drop)	< 1V
Trip current (drop)	200 mA
Holding current (after trip)	28 mA
Reset current level	Current falls below 28 mA
Maximum devices per drop	1
Current consumption	None
Dimensions (L, W, H)	75mm, 49mm, 43mm
Housing	Engineered resin
Operating temperature	-40° to +80°C (-40° to +176°F)

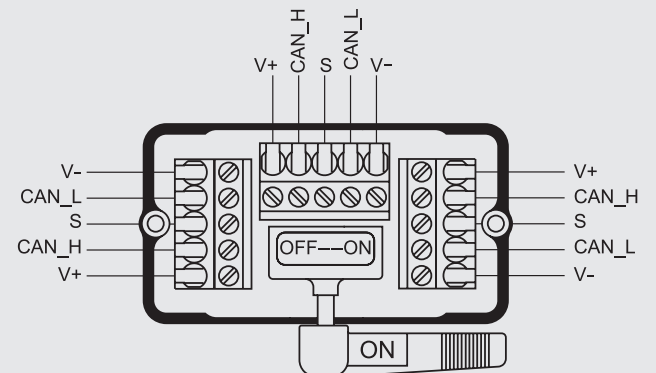
### Schematic drawing



### Dimensions (mm)



### Wiring diagram



## Drop connectors

Model number

**DR461119A**

**DR465010A** (DIN)

### Protected drop switch (1 drop)

This disconnect switch is a compact, drop connector for wiring Profibus-DP/Modbus networks. It has a disconnect switch that allows the user to disconnect a drop from the trunk. This device also provides current limiting on the power leg to prevent power losses.

#### Features

- Current limit on power drop
- Direct mount or DIN rail mount available



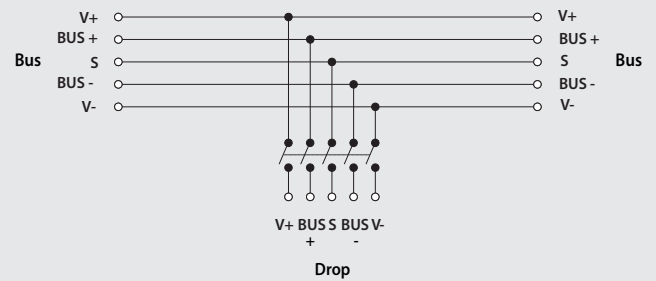
**PROFIBUS**

### Specifications

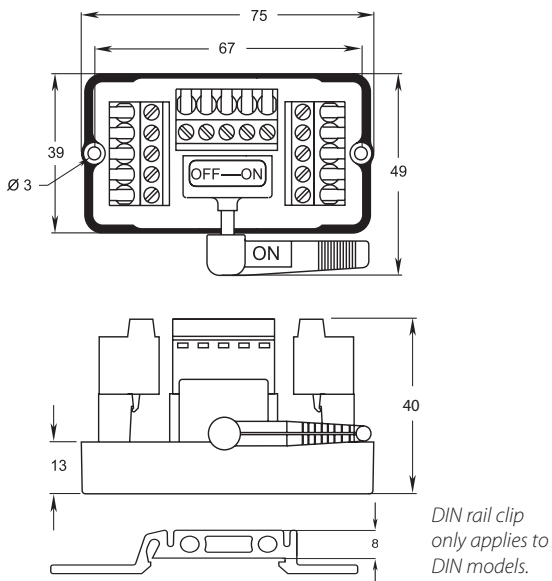
Protocol	Profibus-DP
Maximum voltage	35 VDC
Maximum current (trunk)	8 amps
Voltage drop (trunk)	Negligible
Voltage drop (drop)	< 1V
Trip current (drop)	200 mA
Holding current (after trip)	28 mA
Reset current level	Current falls below 28 mA
Maximum devices per drop	1
Current consumption	None
Dimensions (L, W, H)	75mm, 49mm, 40mm
Housing	Engineered resin
Operating temperature	-40° to +80°C (-40° to +176°F)



### Schematic drawing



### Dimensions (mm)



### Wiring diagram

