



REMOTE I/O



I/O EXPANSION FOR
ALL-IN-ONE CONTROLLERS

THE INDUSTRY LEADER IN REMOTE I/O

THE INDUSTRY LEADER IN REMOTE I/O

INDUSTRY LEADING ALL-IN-ONE CONTROLLER

Horner controllers provide the best all-in-one, affordable control solution for OEMs, integrators and end-users by combining robust, reliable control products with operator interface, I/O and networking into a single compact unit. The Horner controllers are designed to provide you with ease of use, cost savings and flexibility for your operation, no matter the application.

With proven success across a wide variety of applications, the XL series is ideal for:

- Custom OEM products
- Power management & back-up generation
- Semiconductor applications
- Packaging machinery
- Water treatment
- Compressor control
- Pump control
- Food processing
- Motion control
- Distributed conveyor control
- HVAC/Environmental control
- Mobile machinery
- Automotive parts manufacturing

POWERFUL, SECURE CSCAPE PROGRAMMING SOFTWARE

Horner All-in-One controllers combine graphical ladder logic programming, operator interface development, I/O configuration and network configuration. The user friendly interface provides free form and drag & drop editor, as well as more than 100 functions to choose from.

From the Horner website, hornerautomation.com, download the Cscape software or software updates at no charge. This free service allows you to avoid costly licensing fees while always having the most up-to-date software version.

EXPAND I/O CAPACITY OF OCS ALL-IN-ONE CONTROLLERS

By using remote I/O, Horner controllers offer easier programming, installation, development and set-up. Our controllers have a small footprint and can easily retrofit into an existing system with little effort.

OCS I/O

The OCS I/O series features a impressive remote I/O system with support for both asynchronous and synchronous scan. This newest product line features a selection of I/O modules with easy installation and wiring using Horner's signature technology.

SMARTRAIL

SmartRail expands the I/O capacity of OCS all-in-one controllers. SmartRail uses either CANbus or Ethernet communications and can be installed locally or hundreds of meters away.

SMARTBLOCK

Using CsCAN communications, SmartBlock I/O provides easy configuration and network expansion. Designed to complement Horner SmartStix Digital I/O family, these two families can be used to expand the I/O capacity of any OCS.

SMARTSTIX

A cost-effective option as expansion or remote I/O and that is extremely compact and also uses CsCAN communications. The SmartStix offers easy configuration through rotary switches and Cscape programming software.

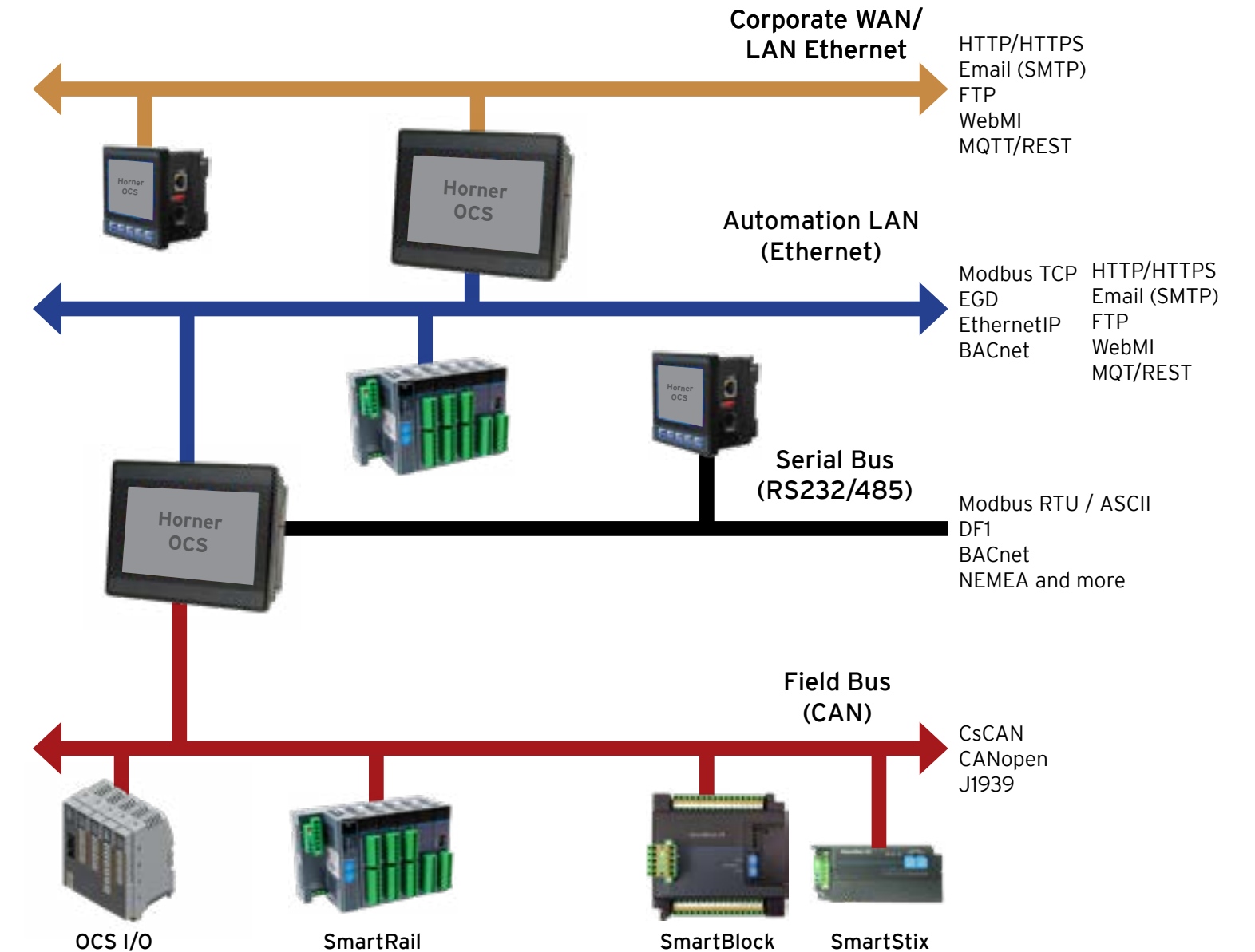
RCC6512

A versatile product for high-speed applications. The RCC6512 combines a control co-processor with high-speed digital and analog I/O with integrated networking.

ADD-ON I/O

Add-on I/O expands digital and analog outputs for OCS all-in-one controllers.

SUPPORTED PROTOCOLS



Product Preview



HE599...						
CNX116	ADU100	DAC107	DIM620	DI0512	DI0616	DQM502

OCS I/O*

Communication/ Networks	✓	✓	✓	✓	✓	✓
Digital Inputs	2			4		
Digital Outputs	2				8	
Analog Inputs	1	4				
Analog Outputs	1	4				
Power Monitoring						

*CNX116 required

SmartRail Base



HE599...		
CNX100	COS100	ETX300

SmartRail Base

Communication/ Networks	✓		
Digital Inputs			
Digital Outputs			
Analog Inputs			
Analog Outputs			
Power Monitoring			

SmartRail Modules



HE599...														
ADCI70	DAC101	DAC106	DIM510	DIM610	DIM710	DI0512	DQM502	DQM506	DQM602	DQM606	DQM706	MIX116	RTD100	THM100

SmartRail Modules*

Communication/ Networks	✓	✓	✓	✓	✓	✓	✓	✓	✓	✓	✓	✓	✓	✓
Digital Inputs				8	16	32	8							
Digital Outputs								8	8	16	32			
Analog Inputs	4	4										2	4	
Analog Outputs													2	
Power Monitoring														

*SmartRail base required for SmartRail Modules

SmartBlock Modules



HE579... or HE569DQM...											
ACM300	ACM302	ADC570	ADC970	BMS168	DAC107	DAC207	DI0880	DI0881	DQM204	DQM205	DQM209

SmartBlock Modules

Communication/ Networks	✓	✓	✓	✓	✓	✓	✓	✓	✓	✓	✓
Digital Inputs							8	8			
Digital Outputs					8		8		8	8	
Analog Inputs		6	12								
Analog Outputs						4	8				
Power Monitoring	✓										

SmartStix Modules



HE559...					
DIM610	DIM710	DI0816	DQM602	DQM606	DQM706

SmartStix Modules

Communication/ Networks	✓	✓	✓	✓	✓
Digital Inputs	16	32	16		
Digital Outputs				16	16
Analog Inputs					
Analog Outputs					
Power Monitoring					



RCC Co-processor



HE-RCC6512

Add-on I/O



HE-XDAC007

HE-XDAC107

HE-XHS0

HE-XHS0-5

GLOBAL HEADQUARTERS

59 S. State Ave.
Indianapolis, Indiana 46201
P 317-916-4274
F 317-639-4279
TF 877-665-5666
www.hornerautomation.com
sales@heapg.com

INTERNATIONAL OPERATIONS

HORNER EUROPE

MIDDLE EAST / AFRICA

Horner Ireland Limited, Unit 1
Centrepoint, Centrepark Road
Cork, Ireland
P +353-21-4321266
F +353-21-4321826
info@horner-app.com
www.hornerautomation.eu

HORNER CANADA

Suite 230, 855 - 42 Avenue SE
Calgary, Alberta T2G 1Y8
P (403) 444-0928
F (403) 265-0966
info@hornercanada.com
www.hornerautomation.com

HORNER INDIA

Vaishnavi, No. 3, Domlur 2nd Stage
3rd Phase, Domlur Main Rd.
Bangalore 560071
Karnataka, India
P +91-80-41263460 / 61 / 62
F +91-80-41263464
info@india.horner-app.com

HORNER CHINA

Sales and Tech Support for China
Room 1001, Nongke Building
No. 268, Baidilu Road, Nankai District
Tianjin 300192, P.R. China
P +86-022-23367571/23360759
F +86-022-23662715
info@hornerchina.com.cn
www.hornerchina.com.cn

HORNER AUSTRALIA

Unit 15
104 Ferntree Gully Road
Oakleigh Victoria 3166
P 03 9544 0733
F 03 9544 0977
jim.callan@heapg.com

HORNER SOUTH AMERICA

Sales and Tech Support for South America
Rua Bento Gonçalves, 31
93265-350 - Esteio - RS Brazil
P +55 51-4042-3037
F +55 51-4042-3037
info@hornerbrasil.com.br

REMOTE I/O FEATURES		RCC Co-Processor	Add-on I/O*			
Communication/ Networks	CsCAN	✓				
	CANOpen					
	Ethernet IP	✓				
	Modbus TCP	✓				
Digital Inputs	Synchronous		✓	✓	✓	✓
	12/24VDC Inputs (pos/neg)	12				
	5VDC Input Support	✓				
	High-Speed Counter Support	✓				
	Universal Analog/Digital Inputs					
	120VAC Inputs (pos)					
Digital Outputs	24VDC Outputs (pos)	10			2	2 (5VDC)
	Relay Outputs					
	SSR Outputs				0.5	0.2
	Max Current (A)				✓	✓
	High-Speed Output Support	✓				
Analog Inputs	Input Channels	2				
	Resolution (bits)	12				
	0-10V Support	✓				
	4-20mA Support					
	RTD Support					
	Thermocouple Support					
Analog Outputs	mV Support					
	Resolution					
	Output Channels	4	2	4		
	Resolution (bits)		12	12		
	0-10V Support		✓	✓		
Power Monitoring	+/- 10V Support	✓	✓	✓		
	4-20mA Support		✓	✓		
	3-Phase 600VAC, 0-5A CTs					
	3-Phase 600VAC, Rogowski Coils					
1-Phase 0-30 CT Interface						

*XL OCS required