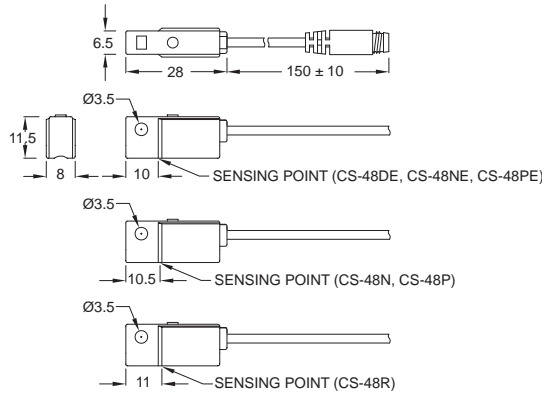




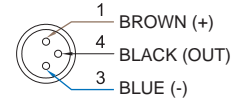
■ DIMENSIONS

CS-48R, CS-48DE, CS-48N, CS-48NE, CS-48P, CS-48PE /
 CS-48R-QD, CS-48DE-QD, CS-48N-QD, CS-48NE-QD,
 CS-48P-QD, CS-48PE-QD

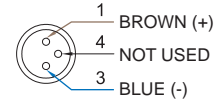


■ QD PINOUT

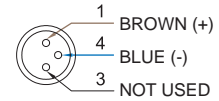
*3 wire QD wiring



*2 wire QD wiring



*2 wire EQD wiring



■ SPECIFICATIONS

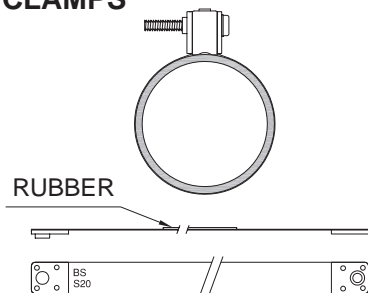
Unit:mm

TYPE	CS-48R	CS-48DE	CS-48N	CS-48NE	CS-48P	CS-48PE
CONNECT DIAGRAM						
CHARACTERISTICS	2-Wire type		3-Wire type			
Wiring Method	2-Wire type		3-Wire type			
Switching Logic	SPST, Normally Open		Solid State Output, Normally Open			
Sensor Type	Reed Switch	-	NPN Current Sinking		PNP Current Sourcing	
Operating Voltage	5-240V DC/AC	5-30V DC	5-28V DC	5-30V DC	5-28V DC	5-30V DC
Switching Current	100mA max.	50mA max.		200mA max.	50mA max.	200mA max.
Contact Rating (*1)	10W max.	1.5W max.		6W max.	1.5W max.	6W max.
Current Consumption	-		10mA @ 24V DC max.	6mA @ 24V DC max.	10mA @ 24V DC max.	6mA @ 24V DC max.
Voltage Drop	3.5V max.	3.7V max.	1.5V @ 50mA max.	0.5V @ 200mA max.	1.5V @ 50mA max.	0.5V @ 200mA max.
Leakage Current	-	0.1mA(40uA) max.	0.01mA max.			
Indicator	Red LED				Green LED	
Cable	ø3.3, 2C, PVC		ø3.3, 3C, PVC			
Operating Frequency	200Hz		1000Hz max.			
Magnet Requirement (*2)	110Gauss	40-1000Gauss	75Gauss	40-1000Gauss	75Gauss	40-1000Gauss
Temperature Range	-10~70°C (+14~158°F)					
Shock (*3)	30G		50G			
Vibration (*4)	9G					
Enclosure Classification	IEC 60529 IP67 (NEMA 6)					
Protection Circuit (*5)	1		3,4			

NOTE:

1. WARNING: Never exceed rating (Watt=Voltage x Amperage). Permanent damage to sensor will occur.
2. Measuring standard target: ø15.5Xø8X5t (Anisotropy rubber magnet)
3. Sin wave / X, Y, Z 3 directions / 3 times each direction / 11 ms each time.
4. Double amplitude 1.5 mm / 10Hz-55Hz-10Hz (Sweep 1 min) / X, Y, Z 3 directions / 1 hour each time.
5. 1=None / 2=Short-circuit / 3=Power Source Reverse polarity / 4=Surge Suppression

■ MOUNTING CLAMPS



BS Series
 (See Page 2-43)

