

1210

Sub psi

SPECIFICATIONS

- **PC Board Mountable Pressure Sensor**
- **40 mV Output Typical**
- **Differential Pressures**
- **Metal Tube and Ceramic Barbed Ports**
- **Temperature Compensated**

The 1210 sub PSI is a temperature compensated, piezoresistive silicon pressure sensor packaged in a dual-in-line configuration. It is intended for cost sensitive applications where excellent performance and long-term stability are required.

Integral temperature compensation is provided over a range of 0-60°C using laser-trimmed resistors. An additional laser-trimmed resistor is included to normalize pressure sensitivity variations by programming the gain of an external differential amplifier. This provides sensitivity interchangeability of $\pm 1\%$. Differential pressure ranges from 0-5 (12.5mB) to 0-10 (25mB) inches of H₂O are available. Multiple leads, metal or ceramic barbed tubes are available for specific applications.

Please refer to the 1210 1psi and standard datasheet for information on products with operating pressures greater than 1psi.

FEATURES

- Dual-in-Line Package
- Ceramic Barbed Ports Option
- 3/32 in. ID Hosing [2.4mm]
- $\pm 0.5\%$ Non Linearity
- $\pm 1.0\%$ Temperature Performance
- 1.0% Interchangeable Span
(provided by gain set resistor)
- Solid State Reliability

APPLICATIONS

- Sleep Apnea
- Respirators/Ventilators
- Air Duct Flow
- Medical Instrumentation

STANDARD RANGES

Pressure	Gauge	Differential
0 to 5	1S,3S,1L,3L,3B	1S,3S,1L,3L,3B
0 to 10	1S,3S,1L,3L,3B	1S,3S,1L,3L,3B

PERFORMANCE SPECIFICATIONS

Supply Current: 1.5 mA

Ambient Temperature: 25°C (unless otherwise specified)

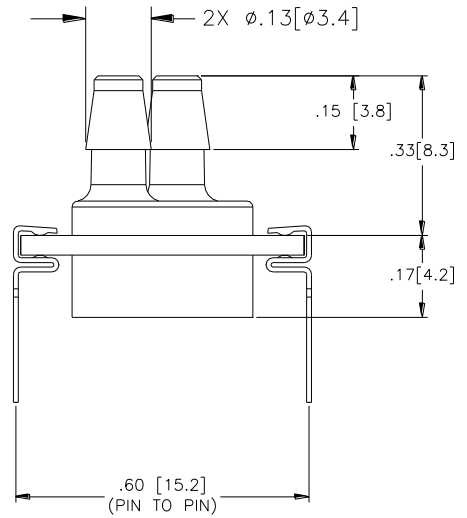
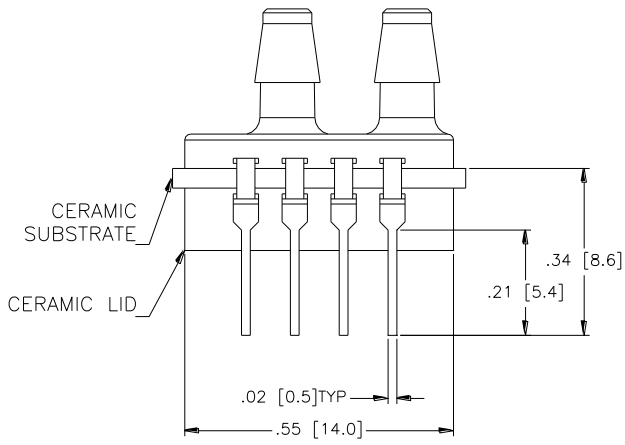
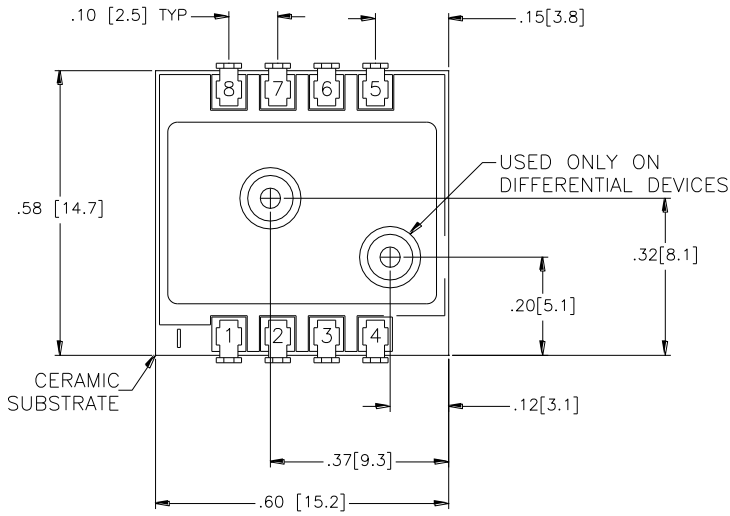
PARAMETERS	MIN	TYP	MAX	UNITS	NOTES
Span	20	40	75	mV	1
Zero Pressure Output	-2		2	mV	
Pressure Non Linearity	-0.5	±0.3	0.5	% Span	2
Pressure Hysteresis	-0.25	±0.15	0.25	% Span	
Input & Output Resistance	1000	3600	4500	Ω	
Temperature Error – Span	-1.0	±0.5	1.0	% Span	3
Temperature Error – Zero	-1.25	±0.5	1.25	% Span	3
Thermal Hysteresis – Zero		±0.1		% Span	3
Supply Current		1.5	2.0	mA	
Response Time (10% to 90%)		200		μS	4
Output Noise (10Hz to 1kHz)		1.0		μV p-p	
Long Term Stability		±0.2		%Span	5
Pressure Overload			200	in H ₂ O	
Compensated Temperature	0		60	°C	
Operating Temperature	-25		+85	°C	
Storage Temperature	-40		+125	°C	
Weight			3	grams	
Media	Non-Corrosive Dry Gases Compatible with Silicon, Pyrex, RTV, Gold, Ceramic, Nickel, and Aluminum				

Notes

1. Ratiometric to supply current.
2. Best fit straight line. Non linearity for 10inH₂O is 0.75%
3. Maximum temperature error between 0°C and 60°C with respect to 25°C. Thermal error of offset for 5inH₂O is 2.0%
4. For a zero-to-full scale pressure step change.
5. Long term stability over a one year period with constant current and temperature.

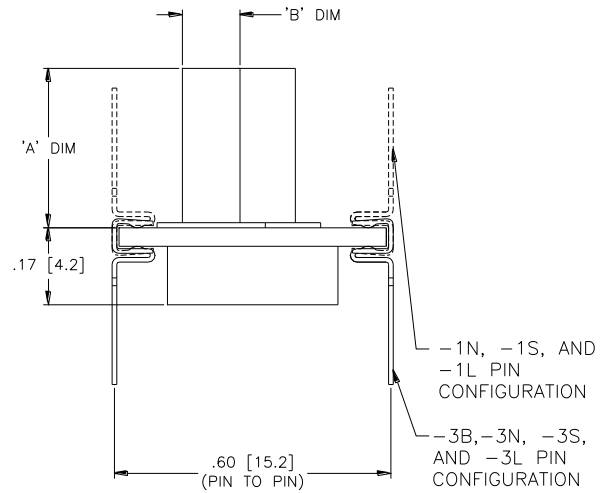
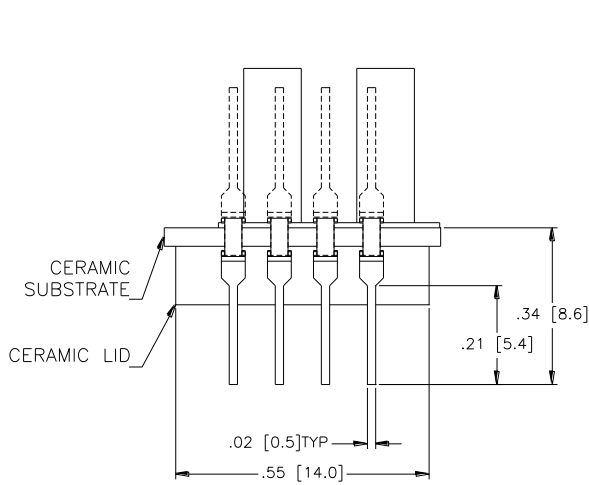
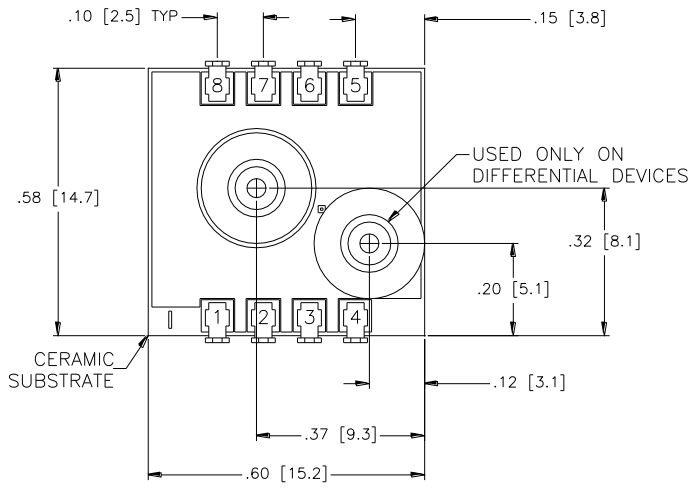
DIMENSIONS

'BARB' VERSION
DIMENSIONS IN INCHES [mm]



PAD NO	FUNCTION
1	-OUT
2	-EX
3	+OUT
4	+EX
5,6	GAIN
7,8	TEST

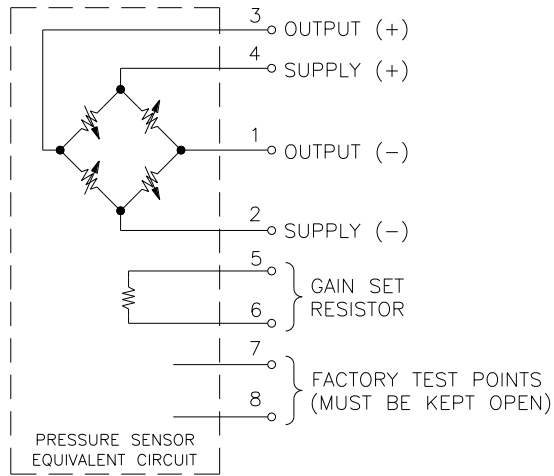
'TUBE' VERSION
DIMENSIONS IN INCHES [mm]



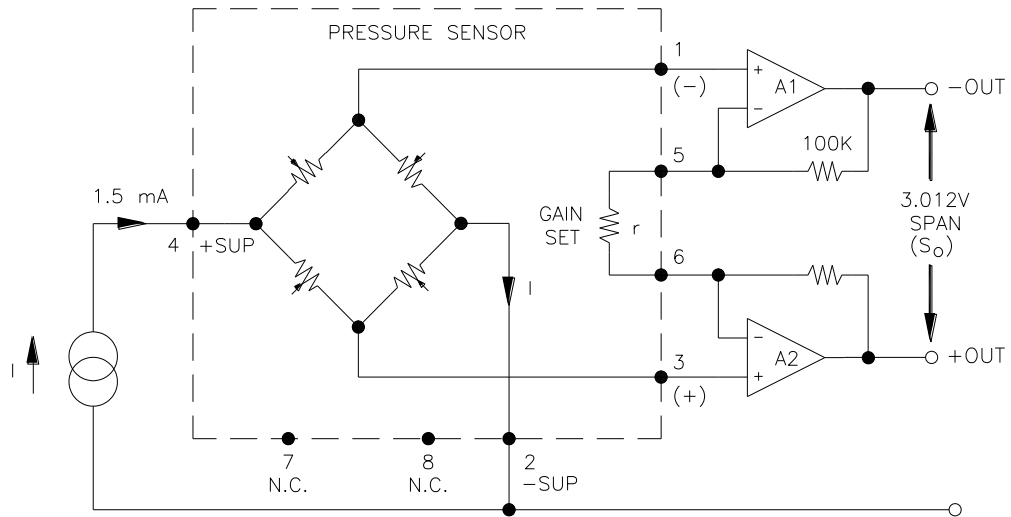
VENT TUBE DIMENSIONS		
MODEL	'A' DIM	'B' DIM
1N/3N	N/A	N/A
1L/3L	.490±.005 [12.45±0.13]	∅.127±.005 [∅3.23±0.13]
1S/3S	.325±.005 [8.26±0.13]	∅.125±.005 [∅3.18±0.13]

PAD NO	FUNCTION
1	-OUT
2	-EX
3	+OUT
4	+EX
5,6	GAIN
7,8	TEST

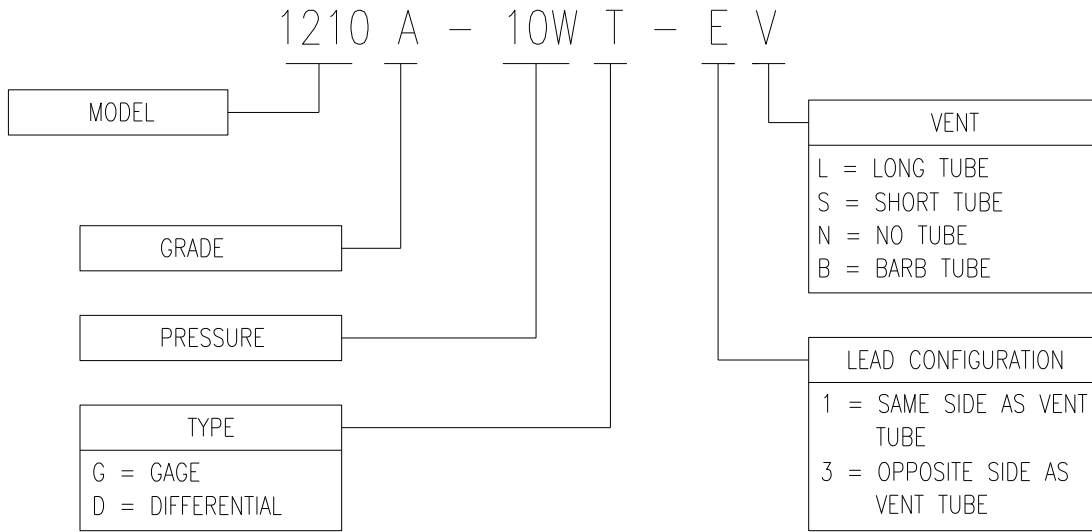
CONNECTIONS



APPLICATION SCHEMATIC



ORDERING INFORMATION



NORTH AMERICA

Measurement Specialties, Inc.,
a TE Connectivity Company
45738 Northport Loop West
Fremont, CA 94538
Tel: 1-800-767-1888
Fax: 1-510-498-1578
Sales: pfg.cs.amer@meas-spec.com

EUROPE

Measurement Specialties (Europe), Ltd.,
a TE Connectivity Company
26 Rue des Dames
78340 Les Clayes-sous-Bois, France
Tel: +33 (0) 130 79 33 00
Fax: +33 (0) 134 81 03 59
Sales: pfg.cs.emea@meas-spec.com

ASIA

Measurement Specialties (China), Ltd.,
a TE Connectivity Company
No. 26 Langshan Road
Shenzhen High-Tech Park (North)
Nanshan District, Shenzhen 518057
China
Tel: +86 755 3330 5088
Fax: +86 755 3330 5099
Sales: pfg.cs.asia@meas-spec.com

TE.com/sensorsolutions

Measurement Specialties, Inc., a TE Connectivity company.

Measurement Specialties, TE Connectivity, TE Connectivity (logo) and EVERY CONNECTION COUNTS are trademarks. All other logos, products and/or company names referred to herein might be trademarks of their respective owners.

The information given herein, including drawings, illustrations and schematics which are intended for illustration purposes only, is believed to be reliable. However, TE Connectivity makes no warranties as to its accuracy or completeness and disclaims any liability in connection with its use. TE Connectivity's obligations shall only be as set forth in TE Connectivity's Standard Terms and Conditions of Sale for this product and in no case will TE Connectivity be liable for any incidental, indirect or consequential damages arising out of the sale, resale, use or misuse of the product. Users of TE Connectivity products should make their own evaluation to determine the suitability of each such product for the specific application.

© 2015 TE Connectivity Ltd. family of companies All Rights Reserved.