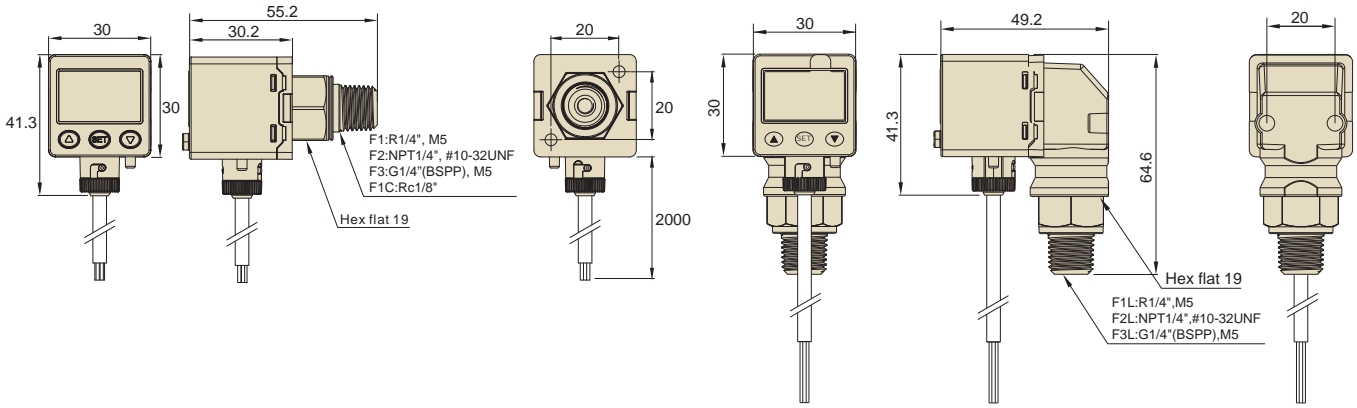
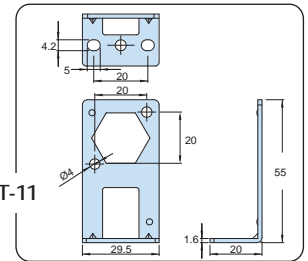
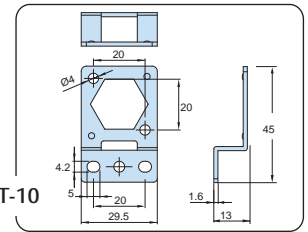
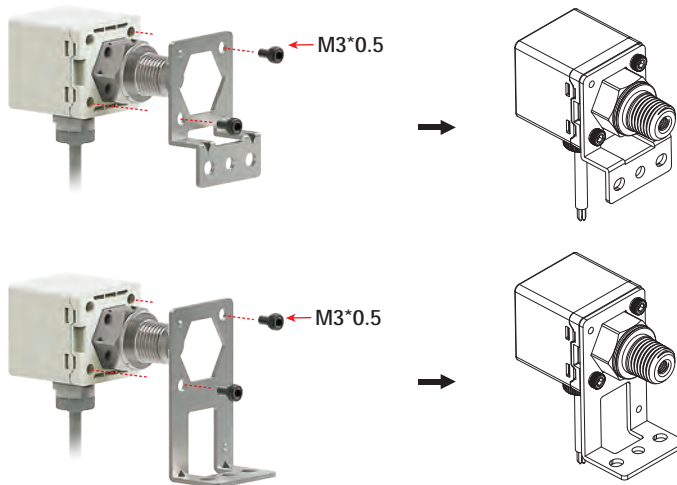


DIMENSIONS

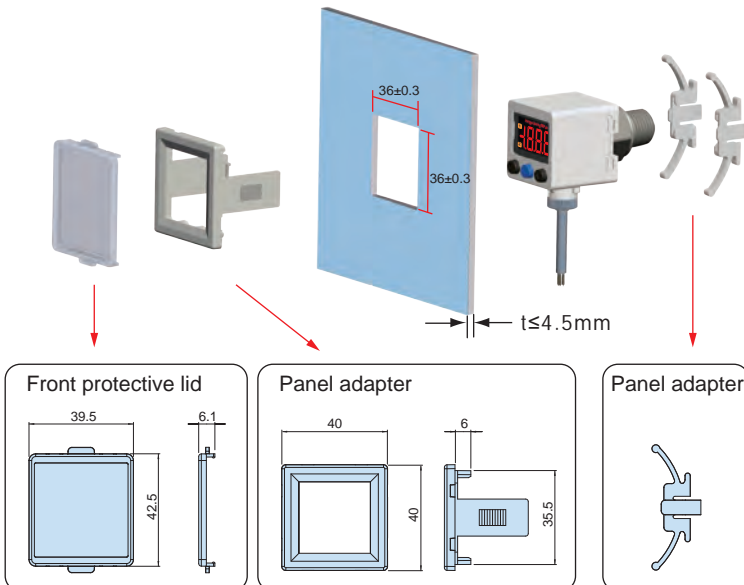


OPTIONAL PARTS DIMENSIONS

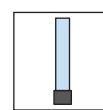
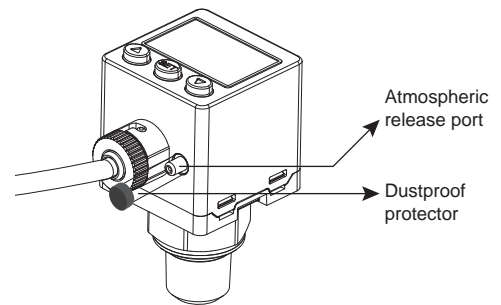
1 Mounting Bracket



2 Panel Mount Adapter + Front Protective Lid



3 IP65 Protector



Caution:
This device must be installed to maintain IP 65(Dust and splash proof) enclosure rating.

Unit:mm