



VCS-06

VCS Series • Top or Bottom • Level Sensor

Features

- Overall length less than 60mm
- Internal Fit
- 22mm diameter float
- Nylon 6.6 material

Comments

- High or Low level sensing
- N/O or N/C by float reversal
- Reed Switch Reliability (UL File E153493)
- Encapsulated Magnet
- Interface Option Available

Applications

- Fuel level
- Sump level
- Alcohol level
- Organic Solvents level
- Chemical level

VCS-06

VCS Series • Top or Bottom • Level Sensor

Material

Housing Material	Nylon 6.6	Cable Length	2 x 0.1M
Float Material	Nylon 6.6	Connection Type	Stripped Cables
Contact Material	Ruthenium	Cable Type	22 AWG 16/0.2mm PVC insulated
Float SG	0.66	Cable Colour	Black/Black
Operating Temperature °C	-30 to 105		
Medium	Fuels & Oils		
Housing Colour	Blue		

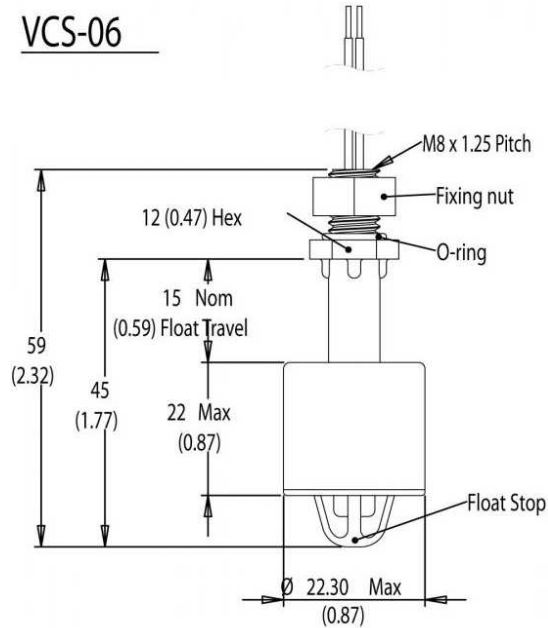
Mechanical Specifications

Shock	3 half-sine pulses of 11mS, 30G	Thread	M8 x 1.25mm
Vibration	35g up to 500Hz	Fitment	Internal Fit
Maximum Pressure	1.3 Bar	Mounting	Top or Bottom entry
Float Diameter	22.3mm		
IP	IP65		

Switching

Switch Action (Reed Switch)	SPST
Max Switching Voltage VDC	200
Max Switching Voltage VAC	250
Max Switching Current Amps	1
Max Switching Load Watt	30
Operate Mode	N/C with float at bottom
Contact Form	stop A

Technical Drawing



NORTH AMERICA & EUROPE

MEAS Deutschland GmbH
a TE Connectivity Company
Hauert 13
D-44227 Dortmund
Germany
Phone: +49-(0)231-9740-0
Fax: +49-(0)231-9740-20
Email: info.de@meas-spec.com

ASIA

Measurement Specialties (China), Ltd.,
a TE Connectivity Company
No. 26 Langshan Road
Shenzhen High-Tech Park (North)
Nanshan District, Shenzhen 518057 China
Tel +86 755 3330 5088
Fax +86 755 3330 5099

te.com/sensorsolutions

Measurement Specialties, Inc., a TE Connectivity company.

Measurement Specialties, MEAS, TE Connectivity, TE Connectivity (logo) and EVERY CONNECTION COUNTS are trademarks. All other logos, products and/or company names referred to herein might be trademarks of their respective owners.

The information given herein, including drawings, illustrations and schematics which are intended for illustration purposes only, is believed to be reliable. However, TE Connectivity makes no warranties as to its accuracy or completeness and disclaims any liability in connection with its use. TE Connectivity's obligations shall only be as set forth in TE Connectivity's Standard Terms and Conditions of Sale for this product and in no case will TE Connectivity be liable for any incidental, indirect or consequential damages arising out of the sale, resale, use or misuse of the product. Users of TE Connectivity products should make their own evaluation to determine the suitability of each such product for the specific application.

© 2016 TE Connectivity Ltd. family of companies All Rights Reserved.