



MEAS LTB LEVEL TRANSDUCERS

- Submersible Level Transducer
- Municipal and Industrial Applications
- Wide Mouth Non-fouling Protective Cage
- 2.75" PTFE Flexible Diaphragm

The LTB Level Transducer is a submersible hydrostatic level transducer specifically designed to meet the rigorous environments encountered in wastewater and liquid level measurements and control.

Applications

- Lift Station Monitoring
- Pump Control
- Slurry Tank Liquid Level
- Wastewater
- Lightning Protection

Features

Standard

- 0.25% FSO Accuracy
- Welded 316 Stainless Steel Body Enclosure
- One Year Warranty
- Pre-calibrated Pressure Ranges

Optional

- Two Year Warranty
- Custom Pressure Ranges
- Intrinsically Safe
- Lightning Protection

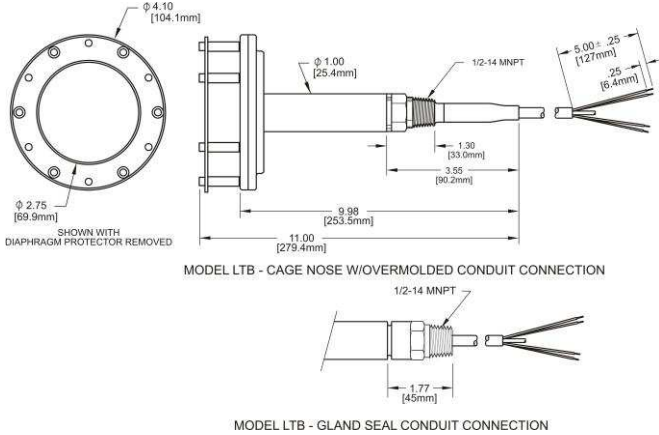
Specifications

STATIC PERFORMANCE		
Static Accuracy <small>(combined effects of non-linearity, hysteresis and repeatability, best fit straight line method)</small>	±0.25% FSO	BFSL method
Resolution	+0.0001% FS	
ENVIRONMENTAL		
Wetted Materials	316 SS; PTFE; FKM; Polyurethane or ETFE	
Compensated Temp Range	0 to 50°C	
Thermal Error <small>(maximum allowable deviation from the Best Fit Straight Line due to a change in temperature)</small>	±0.10% FSO/°C	Worst case for level ranges <23' (7m) H ₂ O Prorated for level ranges ≤ 23' (7m) H ₂ O
Operating Temp Range	-20 to 60 °C	When attached to polyurethane cable
Protection Rating	IP 68, NEMA 6P	
ELECTRICAL		
Excitation	9-28V – VDC output 9-28V – mA output 15-28V – VDC output 10-28V – VDC output	0-5V, 0-2.5V, 0-4V 4-20 0-10V 1.5-7.5V
Input Current	20 mA max 3.5 mA max	For mA output For VDC output
Output	4-20mA, 0-5 VDC, 0-2.5VDC, 0-4VDC, 0-10VDC, 1.5-7.5VDC	For ranges < 5 ft (1.5m) H ₂ O, only 4-20mA output is available
Zero Offset	±0.25 mA for mA output < 0.25 VDC for VDC output	
Output Impedance	See loop diagram for mA output 20 ohm for VDC output	
Insulation Resistance	100 mega ohm at 50 VDC	
Circuit Protection	Polarity, surge/shorted output	
CERTIFICATIONS		
	Standard – WEEE/RoHS, CE compliant	EN 61326-1:2001 and 61326-2-3:2006 Waste from Electrical and Electronic Equipment (WEEE) and Restrictions on the use of Hazardous Substances (RoHS)
	Optional - UL, CUL and FM	Class I, II, III, Div. 1, Groups A,B,C,D,E,F&G
PHYSICAL		
Approximate Weight	3.5 lbs. (1588 g) transducer 0.05 lbs./ft. (79 g/m) cable	
Cable Jacket Material	Polyurethane (standard) ETFE (optional)	
Cable Pull Strength	200 lbs. (90 kg)	
Cable Number of Conductors	4	
Cable Conductor Size	22 AWG	
Cable Seal	Molded Polyurethane FKM Gland	For polyurethane cable For ETFE cable
TEMPERATURE OUTPUT OPTION <small>(not intrinsically safety approved)</small>		
Temperature Range	-20 to 60°C	available for 4-20mA output versions only
Output Signal	4-20mA	
LIGHTNING PROTECTION <small>(power supply needs to be limited to 150mA to avoid lock up of the gas tube after a suppression event)</small>		
Life Expectancy	>1,000 Operations	

MEAS LTB LEVEL TRANSDUCER

Peak Clamping Voltage	36 Volts
Response Time	<10 nsecs
Shunts	20,000 Amperes

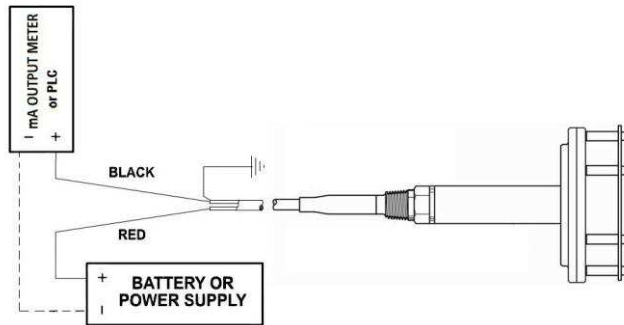
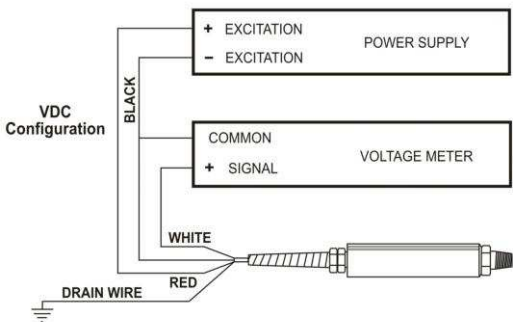
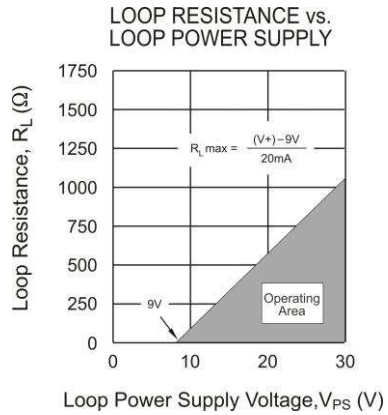
Dimensions



STANDARD PRESSURE RANGES		
Pressure Range (PSI)	Feet H ₂ O	LTB Vented
0-005	11.5 ft	X
0-010	23.1 ft	X
0-015	34.6 ft	X
0-030	69.2 ft	X
0-050	115.4 ft	X
Custom (whole number) Ranges Available		

Electrical Termination/Loop Resistance

ELECTRICAL TERMINATION		
22AWG CONDUCTORS IN A SHIELDED CABLE WITH VENT TUBE		
4-20 mA	RED	+ EXCITATION
	BLACK	- EXCITATION
0-5 VDC	RED	+ EXCITATION
	BLACK	- EXCITATION
	WHITE	+ SIGNAL
ALL	DRAIN WIRE	SHIELD



MEAS LTB LEVEL TRANSDUCER

Ordering Information

TRANSDUCER												
L	Submersible Level Transducer											
T												
↓	PRESSURE PORT											
B	Cage											
↓	OUTPUT											
8	4 – 20 mA											
1	0 – 2.5 VDC											
2	0 – 4 VDC											
3	0 – 5 VDC											
4	0 – 10 VDC											
5	1.5 – 7.5 VDC											
G	4-20 mA w/Lightning											
A	0-2.5 VDC w/Lightning											
B	0-4 VDC w/Lightning											
C	0-5 VDC w/Lightning											
D	0-10 VDC w/Lightning											
E	1.5-7.5 VDC w/Lightning											
↓	CABLE TYPE											
A	Polyurethane											
B	ETFE											
D	None (Gland Seal Only)											
↓	ACCURACY											
B	±0.25% FS											
R	±0.25% FS with Cal Report											
↓	INTRINSIC SAFETY APPROVALS											
B	UL, FM & CUL (Cable Type A or B Only)											
D	None											
↓	WARRANTY¹											
A	Standard one year Warranty											
B	Custom Label one year Warranty											
J	Extended two year Warranty											
K	Custom Label Extended two year Warranty											
↓	MATERIAL											
S	Stainless Steel											
↓	ELECTRICAL CONNECTION											
A	Overmold (Cable Type A Only)											
B	Gland Seal											
D	Overmold w/ 1/2" – 14 NPT Conduit (Cable Type A Only)											
F	Gland Seal w/ 1/2" – 14 NPT Conduit											
↓	PRESSURE RANGE											
x	x	x	Refer to chart page 1									
↓	↓	↓										
			LABEL UNITS									
			P PSI									
			M M H ₂ O									
			F Ft. H ₂ O									
			↓									
			PRESSURE REFERENCE									
			G Vented Gage									
			↓									
			CABLE LENGTH (FT)									
			x x x									
			↓ ↓ ↓									
			Cable length in feet									
L	T	B			S				G			

¹Contact Measurement Specialties if private labeling is required.

NORTH AMERICA

Measurement Specialties, Inc.,
 a TE Connectivity company
 1000 Lucas Way
 Hampton, VA 23666
 Tel : 1-757-766-1500
 Fax : 1-757-766-4297
 Toll Free: 1-800-745-8008
 Email: WL.Sales@te.com

EUROPE

Measurement Specialties (Europe), Ltd.,
 a TE Connectivity company
 26 Rue des Dames
 78340 Les Clayes-sous-Bois, France
 Tel : +33 (0) 130 79 33 00
 Fax : +33 (0) 134 81 03 59
 Email: customercare.lcsb@te.com

ASIA

Measurement Specialties (China), Ltd.,
 a TE Connectivity company
 No. 26 Langshan Road
 Shenzhen High-Tech Park (North)
 Nanshan District, Shenzhen 518057 China
 Tel : +86 755 3330 5088
 Fax : +86 755 3330 5099
 Email: customercare.shzn@te.com

te.com/sensorsolutions

Measurement Specialties Inc., a TE Connectivity company.
 Measurement Specialties (MEAS), American Sensor Technologies (AST), TE Connectivity, TE Connectivity (logo) and EVERY CONNECTION COUNTS are trademarks. All other logos, products and/or company names referred to herein might be trademarks of their respective owners.
 The information given herein, including drawings, illustrations and schematics which are intended for illustration purposes only, is believed to be reliable. However, TE Connectivity makes no warranties as to its accuracy or completeness and disclaims any liability in connection with its use. TE Connectivity's obligations shall only be as set forth in TE Connectivity's Standard Terms and Conditions of Sale for this product and in no case will TE Connectivity be liable for any incidental, indirect or consequential damages arising out of the sale, resale, use or misuse of the product. Users of TE Connectivity products should make their own evaluation to determine the suitability of each such product for the specific application.
 © 2016 TE Connectivity Ltd. family of companies All Rights Reserved.