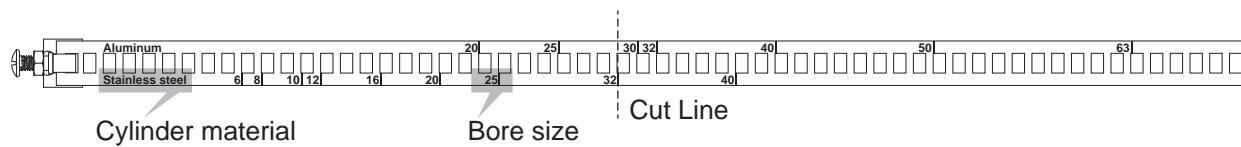
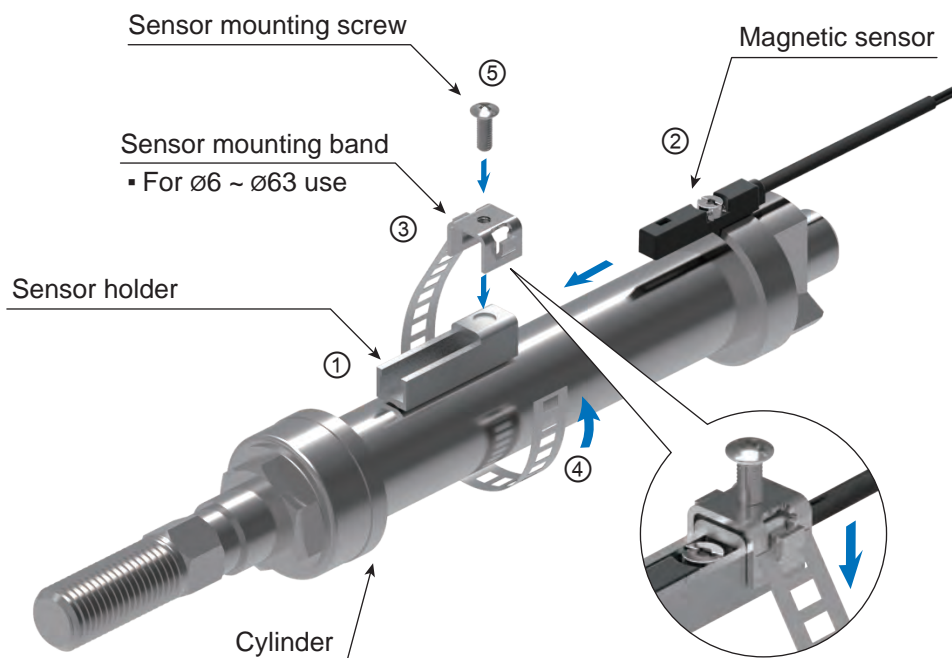


▶ BKT-1

BKT-1 is designed for mounting CS-65 & CS-75 series sensor on round cylinder.

**How to use :****1. Example: Use with $\varnothing 32$ stainless body cylinder.**

Refer to the clamp marking "Stainless steel 32", and cut off the excessive portion.

**2. Installation Steps**

Unit:mm