

# MODEL 606M1 ACCELEROMETER



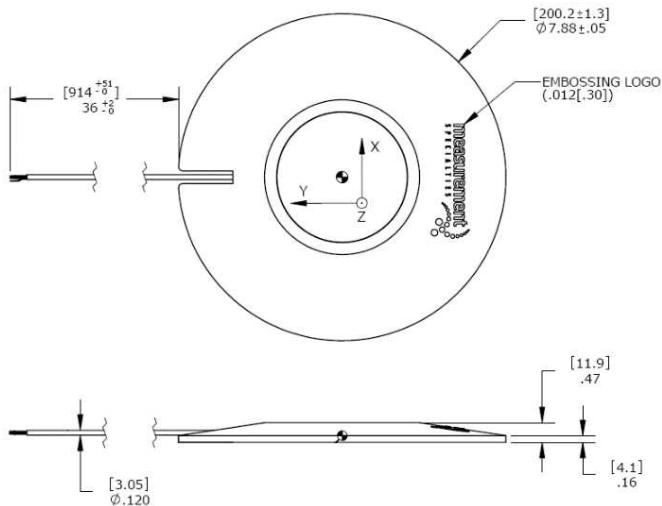
## SPECIFICATIONS

- Seat Pad Accelerometer
- MEMS, Triaxial Sensors
- DC Response
- Accurate Temp Compensation
- ISO 10326-1 Configuration

The **Model 606M1** is a MEMS triaxial seat pad accelerometer with both static and dynamic responses designed specially for characterizing whole body vibration in accordance with ISO 2631-1 and ISO 8041. The DC response of the silicon MEMS sensors is the key to yield accurate velocity and displacement results from the raw acceleration data.

The **606M1** incorporates integral temperature compensation that provides a stable output over a wide operating range. The on-board voltage regulation circuit works with power supply from 8 to 32Vdc.

## DIMENSIONS

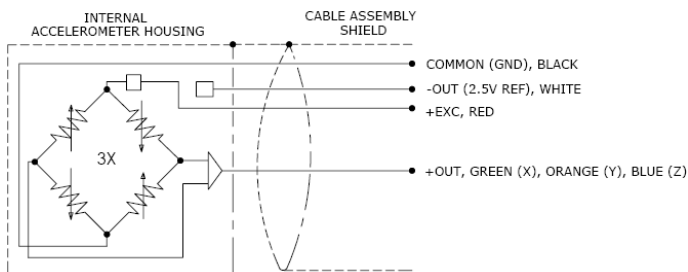


## FEATURES

- Three Independent Circuits
- Low Current Consumption
- Ranges:  $\pm 25g$
- Gas Damped, DC Response
- High Over-Range Protection
- Low Transverse Sensitivity

## APPLICATIONS

- Whole Body Vibration Study
- Vibration/Shock Monitoring
- Helicopter Flight Testing
- Heavy Equipment Testing
- Biodynamic Study



**PERFORMANCE SPECIFICATIONS**

All values are typical at +24°C, 80Hz and 12Vdc excitation unless otherwise stated. Measurement Specialties reserves the right to update and change the specifications without notice.

Parameters		Notes
<b>DYNAMIC</b>		
Range (g)	±25	
Sensitivity (mV/g)	80	
Frequency Response (Hz)	0-800	±5%
Frequency Response (Hz)	0-1000	±1dB
Natural Frequency (Hz)	4000	
Non-Linearity (%FSO)	±1.0	
Transverse Sensitivity (%)	<3	
Damping Ratio	0.7	
Shock Limit (g)	5000	
<b>ELECTRICAL</b>		
Zero Acceleration Output (mV)	±100	Differential
Excitation Voltage (Vdc)	8 to 36	
Excitation Current (mA)	<15	
Bias Voltage (Vdc)	2.5	
Output Impedance (Ω)	<100	
Insulation Resistance (MΩ)	>100	@100Vdc
Turn On Time (msec)	<100	
Residual Noise (µV RMS)	800	Passband
Ground Isolation	Isolated from Mounting Surface	
<b>ENVIRONMENTAL</b>		
Thermal Zero Shift (%FSO)	±3	Typical
Thermal Sensitivity Shift (%)	±3.5	Typical
Operating Temperature (°C)	-20 to 85	
Compensated Temperature (°C)	-20 to 85	
Storage Temperature (°C)	-20 to 85	
<b>PHYSICAL</b>		
Case Material (Seat Pad)	Nitrile Rubber	
Cable	6x #28 AWG Conductors, PFA Insulated, Braided Shield, TPE Jacket	
Weight (grams)	380	

**Calibration supplied:** CS-FREQ-0100 NIST Traceable Amplitude Calibration from 20Hz to ±5% Frequency Response Limit

**Optional accessories:** 121 Three Channel DC Signal Conditioner Amplifier

The information in this sheet has been carefully reviewed and is believed to be accurate; however, no responsibility is assumed for inaccuracies. Furthermore, this information does not convey to the purchaser of such devices any license under the patent rights to the manufacturer. Measurement Specialties, Inc. reserves the right to make changes without further notice to any product herein. Measurement Specialties, Inc. makes no warranty, representation or guarantee regarding the suitability of its product for any particular purpose, nor does Measurement Specialties, Inc. assume any liability arising out of the application or use of any product or circuit and specifically disclaims any and all liability, including without limitation consequential or incidental damages. Typical parameters can and do vary in different applications. All operating parameters must be validated for each customer application by customer's technical experts. Measurement Specialties, Inc. does not convey any license under its patent rights nor the rights of others.

**ORDERING INFORMATION**

PART NUMBERING    Model Number

606M1

**NORTH AMERICA**

Measurement Specialties, Inc.,  
a TE Connectivity Company  
1000 Lucas Way  
Hampton, VA 23666  
Sales and Customer Service  
Tel: +1-800-745-8008 or  
+1-757-766-1500  
Fax: +1-757-766-4297  
t&m@meas-spec.com

**EUROPE**

MEAS France SAS  
a TE Connectivity Company  
26 Rue des Dames  
F78340 Les Clayes-sous-Bois  
France  
Sales and Customer Service  
Tel: +33 (0) 1 79 33 00  
Fax: +33(0)1 34 81 03 59  
t&m@meas-spec.com

**ASIA**

Measurement Specialties (China), Ltd.,  
a TE Connectivity Company  
No. 26 Langshan Road  
Shenzhen High-Tech Park (North)  
Nanshan District, Shenzhen 518057  
China  
Sales and Customer Service  
Tel: +86 755 3330 5088  
Fax: +86 755 3330 5099  
t&m@meas-spec.com

**[TE.com/sensorsolutions](http://TE.com/sensorsolutions)**

Measurement Specialties, Inc., a TE Connectivity company.

Measurement Specialties, TE Connectivity, TE Connectivity (logo) and EVERY CONNECTION COUNTS are trademarks. All other logos, products and/or company names referred to herein might be trademarks of their respective owners.

The information given herein, including drawings, illustrations and schematics which are intended for illustration purposes only, is believed to be reliable. However, TE Connectivity makes no warranties as to its accuracy or completeness and disclaims any liability in connection with its use. TE Connectivity's obligations shall only be as set forth in TE Connectivity's Standard Terms and Conditions of Sale for this product and in no case will TE Connectivity be liable for any incidental, indirect or consequential damages arising out of the sale, resale, use or misuse of the product. Users of TE Connectivity products should make their own evaluation to determine the suitability of each such product for the specific application.

© 2015 TE Connectivity Ltd. family of companies All Rights Reserved.