



## **EVS722-51**

### **EVS Series • Top or Bottom • Level Sensor**

#### **Features**

- Internal or External fitting
- Suitable for a wide range of Chemicals
- Repeatability of operation
- Reed switch reliability

#### **Comments**

- Stem length 223.5mm
- Two Position Level Switching
- High and Low Level Switch Points
- Brass stem with polypropylene float
- M16 Fitting

#### **Applications**

- Waste Water Level
- Sump Level
- Water high or low level
- Coolant level indication
- Boiler heating element protection

# EVS722-51

EVS Series • Top or Bottom • Level Sensor

### Material

Housing Material	Brass
Float Material	Polypropylene
Contact Material	Ruthenium
Float SG	0.68
Operating Temperature °C	-30 to 80
Medium	Water
Housing Colour	Brass
Float Colour	Charcoal

### Cable

Cable Length	3 x 0.5M single insulated
Connection Type	Stripped Cables
Cable Type	18AWG, 16/0.025mm PVC insulated
Cable Colour	Yellow/Blue/Black

### Mechanical Specifications

Shock	50g for 11mS duration
Vibration	35g up to 500Hz
Maximum Pressure	4.7 Bar
Float Diameter	22mm
IP	IP65

### Mounting

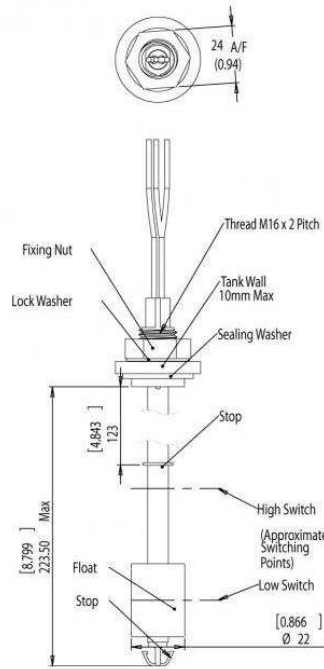
Thread	M16
Fitment	Universal Internal or External
Mounting	Vertical

### Switching

Switch Action (Reed Switch)	2 x SPST
Max Switching Voltage VDC	175
Max Switching Voltage VAC	125
Max Switching Current Amps	0.4A DC/0.28A AC
Max Switching Load Watt	5
Operate Mode	Both switches normally closed at bottom stop
Contact Form	A + B

### Technical Drawing

EVS Generic M16 Internal



### NORTH AMERICA & EUROPE

MEAS Deutschland GmbH  
 a TE Connectivity Company  
 Hauert 13  
 D-44227 Dortmund  
 Germany  
 Phone: +49-(0)231-9740-0  
 Fax: +49-(0)231-9740-20  
 Email: info.de@meas-spec.com

### ASIA

Measurement Specialties (China), Ltd.,  
 a TE Connectivity Company  
 No. 26 Langshan Road  
 Shenzhen High-Tech Park (North)  
 Nanshan District, Shenzhen 518057 China  
 Tel +86 755 3330 5088  
 Fax +86 755 3330 5099

### te.com/sensorsolutions

Measurement Specialties, Inc., a TE Connectivity company.

Measurement Specialties, MEAS, TE Connectivity, TE Connectivity (logo) and EVERY CONNECTION COUNTS are trademarks. All other logos, products and/or company names referred to herein might be trademarks of their respective owners.

The information given herein, including drawings, illustrations and schematics which are intended for illustration purposes only, is believed to be reliable. However, TE Connectivity makes no warranties as to its accuracy or completeness and disclaims any liability in connection with its use. TE Connectivity's obligations shall only be as set forth in TE Connectivity's Standard Terms and Conditions of Sale for this product and in no case will TE Connectivity be liable for any incidental, indirect or consequential damages arising out of the sale, resale, use or misuse of the product. Users of TE Connectivity products should make their own evaluation to determine the suitability of each such product for the specific application.

© 2016 TE Connectivity Ltd. family of companies All Rights Reserved.